

Feman

Jagodina - Serbia

tel: +381 35 230 000

fax: +381 35 230 024

www.feman.net



5

MODULAR MEASURING
AND DISTRIBUTION BOXES

Quality above all

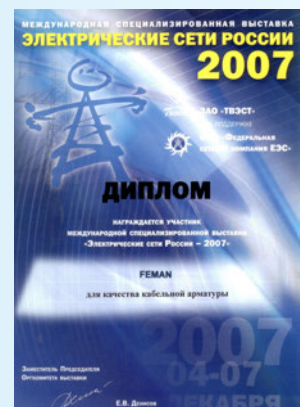
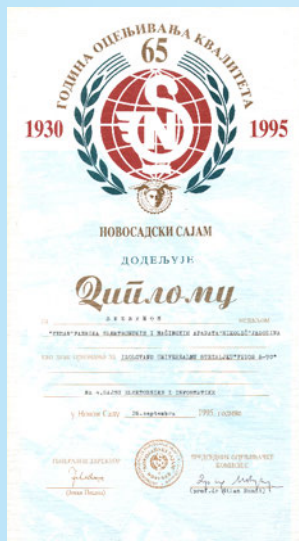


35 years with you!

+ more
then 1700
quality products

ON CUSTOMER'S REQUEST WE WILL DELIVER THE GENERAL CATALOGUE

Producer keeps all rights to additions and changes regarding full content in the catalog



A long lasting tradition - factory established 1985

w w w . f e m a n . n e t



DIRECTORY

of other FEMAN products



*Quality
above all*



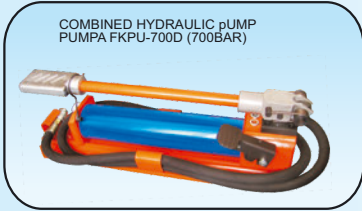
The creator of this business idea, Miodrag Nikolic, is the owner and founder of the company FEMAN, and is an electrical engineer by specialty

⚠ AT THE CUSTOMER'S REQUEST WE WILL DELIVER THE GENERAL CATALOGUE

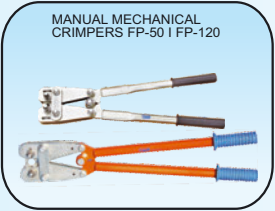
DIRECTORY of various FEMAN products



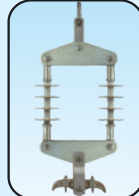
LED+SODIUM STREET LIGHTING



COMBINED HYDRAULIC pUMP
PUMPA FKPU-700D (700BAR)



MANUAL MECHANICAL
CRIMPERS FP-50 I FP-120



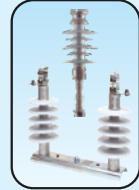
SILICONE INSULATORS



AUTOMATIC GRIPPERS



HYDRAULIC
HEAD FHP-300



MANUAL SCISSORS FOR CUTTING
IRON AND CABL



MEASURING AND DISTRIBUTION ELECTRICAL CABINETS



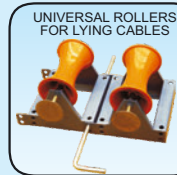
NON-INSULATED & INSULATED
TERMINALS



HYDRAULIC
HEAD FS-240



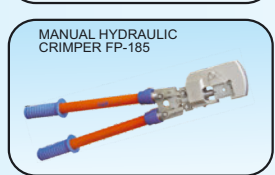
MANUAL HYDRAULIC
CRIMPER FTP-300



UNIVERSAL ROLLERS
FOR LYING CABLES



PULLEY FOR
INSTALLING LV
AND MV ABC ON
POST



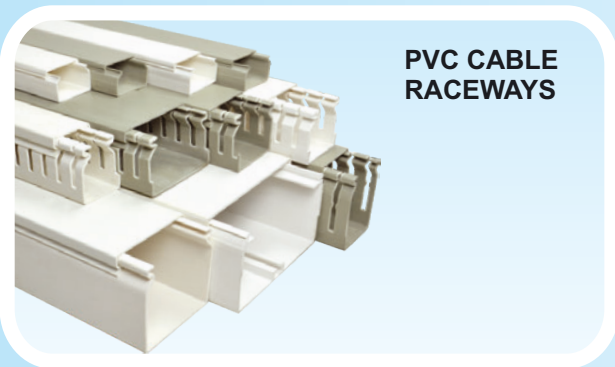
MANUAL HYDRAULIC
CRIMPER FP-185



TOOL FOR SHEET METAL PUNCHING
FAP-10



MANUAL HYDRAULIC CRIMPER
FRP-300



PVC CABLE RACEWAYS



VS CLAMP

**AKU SCISSORS
FAM 42 CRIMPER**

**THREE TOOLS
IN ONE**

sheet metal punching

cutting of conductors

crimping of connecting elements



Feman is the biggest producer of SMC boxes on Balkans



FEMAN POLYESTER BOXES - CHARACTERISTICS

- resistant to mechanical impact
- UV resistance
- water resistance
- resistant to colour changing
- resistant to bending
- non hygroscopic material
- corrosion resistant
- non burning (flame retardant)
- high elastic performance
- high and low temperature resistance
- double layer insulation
- dust resistance
- electrical resistance
- easy montage

TEHNIICAL DESCRIPTION OF MODULAR- MEASURING AND DISTRIBUTION BOXES

These boxes are mainly used for one measuring device. In order to install more measuring devices, they can be installed beside the first one or one above each other.



This multipurpose modular universal box is made for montage on the pole, in the wall, on the wall, freestanding with ground base and freestanding with underground base.

It is made from pressed non- burning polyester, reinforced with glass fibers. It is resistant to strokes, bending and has high dielectric strength. Boxes are also resistant to weather conditions, as well as UV-rays. They have no harmful effect to the surroundings and can be completely recycled. They provide good mechanical and electrical protection and they fall under highly insulated boxes. By adding gasket rubber on doors, windows and other holes high degree of sealing IP 54 is achieved. **For its good technical characteristics they can be used in wet rooms, ambiances with high presence of acid, dust or salt, power plants, rooms with high and low temperatures, industrial facilities etc. Usage is very simple and without additional maintenance.** Usage and montage are very simplified. They count as highly sealed boxes. In accordance with European standards and norms we have developed wide range of additional equipment for boxes. At customer request we deliver boxes complete equipped according to technical instruction submitted by the customer.





The interior of empty universal polyester box



Boxes switches and control lamps



Measuring boxes



Electricity measuring command boxes



Boxes with measuring devices



Boxes with automatics



Boxes with current transformers



Boxes with connection accessories



Interior of box with connection accessories

They can be used as measuring, measuring - command, for public lighting, distribution, commanding boxes for automatic in facilities etc.

POLE MOUNTED

MRO1-S 320x665x235



CABINETS FOR POLE MOUNTING WITH BACK CARRIERS

| Code no. | Type |
|----------|-----------------------|
| 5701010 | MRO1-S 320x665x235 P |
| 5701020 | MRO1-S 320x665x235 PT |
| 5701030 | MRO1-S 320x665x235 PE |
| 5701040 | MRO1-S 320x665x235 PS |
| 5701050 | MRO1-S 320x665x235 SS |
| 5701060 | MRO1-S 320x665x235 SL |
| 5701070 | MRO1-S 320x665x235 SB |

Legend:

- S** - For pole
- P** - Empty (without equipment)
- PT** - Empty with universal meter panel and connection insulation box
- PE** - Empty with flat extruded meter panel
- PS** - Empty with universal meter panel, connection insulation box and current clamp
- SS** - Wired, with universal meter panel, connection insulation box and current clamps
- SL** - Wired, with universal meter panel, connection insulation box, current clamps and limiters of current (power)
- SB** - Wired, with universal meter panel, connection insulation box, current clamps, limiters of current (power) and metering device

WALL MOUNTED

MRO1-Z 320x665x235



CABINETS FOR WALL MOUNTING WITH A SLOPING ROOF

| Code no. | Type |
|----------|-----------------------|
| 5701110 | MRO1-Z 320x665x235 P |
| 5701120 | MRO1-Z 320x665x235 PT |
| 5701130 | MRO1-Z 320x665x235 PE |
| 5701140 | MRO1-Z 320x665x235 PS |
| 5701150 | MRO1-Z 320x665x235 SS |
| 5701160 | MRO1-Z 320x665x235 SL |
| 5701170 | MRO1-Z 320x665x235 SB |

Legenda:

- Z** - For wall
- P** - Empty (without equipment)
- PT** - Empty with universal meter panel and connection insulation box
- PE** - Empty with flat extruded meter panel
- PS** - Empty with universal meter panel, connection insulation box and current clamp
- SS** - Wired, with universal meter panel, connection insulation box and current clamps
- SL** - Wired, with universal meter panel, connection insulation box, current clamps and limiters of current (power)
- SB** - Wired, with universal meter panel, connection insulation box, current clamps, limiters of current (power) and metering device

MOUNTED IN WALL

MRO1-U 320x665x235

CABINETS FOR MOUNTING IN A WALL
WITHOUT A SLOPING ROOF

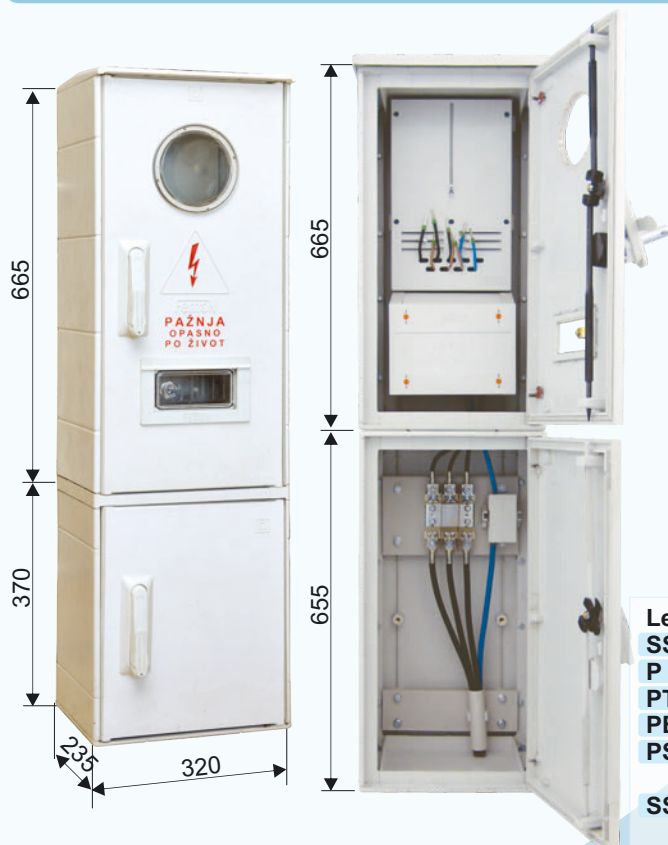
| Code no. | Type |
|----------|-----------------------|
| 5701210 | MRO1-U 320x665x235 P |
| 5701220 | MRO1-U 320x665x235 PT |
| 5701230 | MRO1-U 320x665x235 PE |
| 5701240 | MRO1-U 320x665x235 PS |
| 5701250 | MRO1-Z 320x665x235 SS |
| 5701260 | MRO1-Z 320x665x235 SL |
| 5701270 | MRO1-Z 320x665x235 SB |

Legenda:

- U** - In wall
- P** - Empty (without equipment)
- PT** - Empty with universal meter panel and connection insulation box
- PE** - Empty with flat extruded meter panel
- PS** - Empty with universal meter panel, connection insulation box and current clamp
- SS** - Wired, with universal meter panel, connection insulation box and current clamps
- SL** - Wired, with universal meter panel, connection insulation box, current clamps and limiters of current (power)
- SB** - Wired, with universal meter panel, connection insulation box, current clamps, limiters of current (power) and metering device

FREESTANDING BOXES WITH GROUND BASE

MRO1-SSN 320x1035x235



| Code no. | Type |
|----------|--------------------------|
| 5701310 | MRO1-SSN 320x1035x235 P |
| 5701320 | MRO1-SSN 320x1035x235 PT |
| 5701330 | MRO1-SSN 320x1035x235 PE |
| 5701340 | MRO1-SSN 320x1035x235 PS |
| 5701350 | MRO1-SSN 320x1035x235 SS |
| 5701360 | MRO1-SSN 320x1035x235 SL |
| 5701370 | MRO1-SSN 320x1035x235 SB |

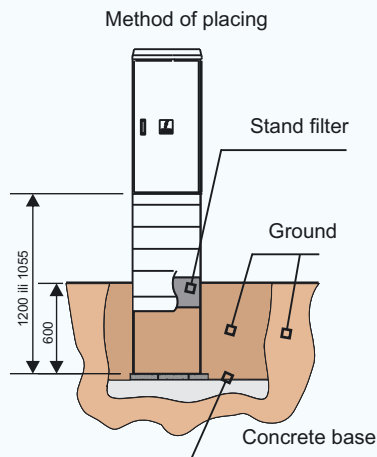
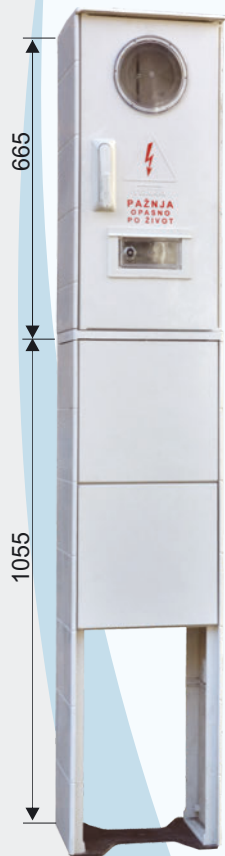
Slobodnostojeći nadzemni ormani mogu se montirati na poliesterska uzemna postolja.

Legenda:

- SSN** - Freestanding on ground
- P** - Empty (without equipment)
- PT** - Empty with universal meter panel and connection insulation box
- PE** - Empty with flat extruded meter panel
- PS** - Empty with universal meter panel, connection insulation box and current clamp
- SS** - Wired, with universal meter panel, connection insulation box and current clamps
- SL** - Wired, with universal meter panel, connection insulation box, current clamps and limiters of current (power)
- SB** - Wired, with universal meter panel, connection insulation box, current clamps, limiters of current (power) and metering device

FREESTANDING BOXES WITH UNDERGROUND BASE

MRO1-SSU 320x1720x235



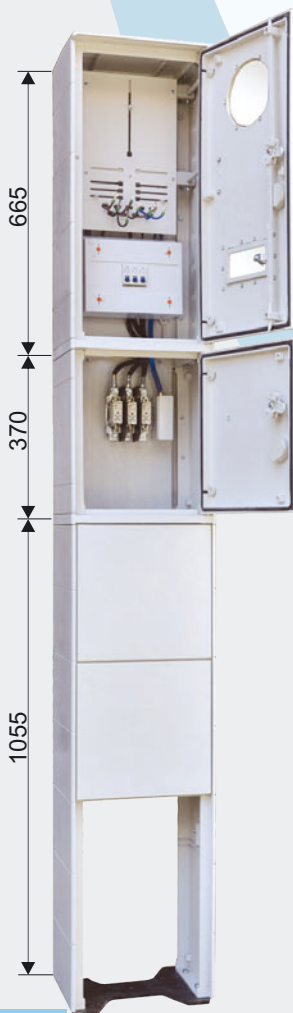
| Code no. | Type |
|----------|--------------------------|
| 5701410 | MRO1-SSU 320x1720x235 P |
| 5701420 | MRO1-SSU 320x1720x235 PT |
| 5701430 | MRO1-SSU 320x1720x235 PE |
| 5701440 | MRO1-SSU 320x1720x235 PS |
| 5701450 | MRO1-SSU 320x1720x235 SS |
| 5701460 | MRO1-SSU 320x1720x235 SL |
| 5701470 | MRO1-SSU 320x1720x235 SB |

Legenda:

- SSU** - Freestanding underground
- P** - Empty (without equipment)
- PT** - Empty with universal meter panel and connection insulation box
- PE** - Empty with flat extruded meter panel
- PS** - Empty with universal meter panel, connection insulation box and current clamp
- SS** - Wired, with universal meter panel, connection insulation box and current clamps
- SL** - Wired, with universal meter panel, connection insulation box, current clamps and limiters of current (power)
- SB** - Wired, with universal meter panel, connection insulation box, current clamps, limiters of current (power) and metering device

FREESTANDING BOXES WITH UNDERGROUND BASE AND KPK

MRO1-SSUK 320x2090x235



| Code no. | Type |
|----------|---------------------------|
| 5701411 | MRO1-SSUK 320x2090x235 P |
| 5701421 | MRO1-SSUK 320x2090x235 PT |
| 5701431 | MRO1-SSUK 320x2090x235 PE |
| 5701441 | MRO1-SSUK 320x2090x235 PS |
| 5701451 | MRO1-SSUK 320x2090x235 SS |
| 5701461 | MRO1-SSUK 320x2090x235 SL |
| 5701471 | MRO1-SSUK 320x2090x235 SB |

Legenda:

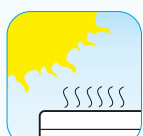
- SSUK** - Freestanding underground with cable connection box
- P** - Empty (without equipment)
- PT** - Empty with universal meter panel and connection insulation box
- PE** - Empty with flat extruded meter panel
- PS** - Empty with universal meter panel, connection insulation box and current clamp
- SS** - Wired, with universal meter panel, connection insulation box and current clamps
- SL** - Wired, with universal meter panel, connection insulation box, current clamps and limiters of current (power)
- SB** - Wired, with universal meter panel, connection insulation box, current clamps, limiters of current (power) and metering device



FEMAL POLYESTER BOXES - CHARACTERISTICS



resistant to mechanical impact



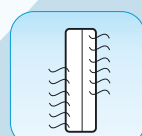
UV resistance



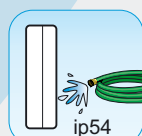
water resistance



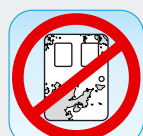
resistant to colour changing



resistant to bending



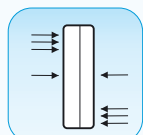
non hygroscopic material



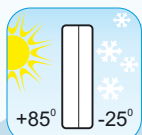
corrosion resistant



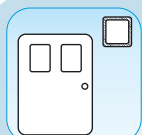
non burning (flame retardant)



high elastic performance



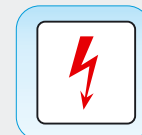
high and low temperature resistance



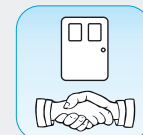
double layer insulation



dust resistance



electrical resistance



easy montage

TEHNICAL DESCRIPTION OF MODULAR- MEASURING AND DISTRIBUTION BOXES

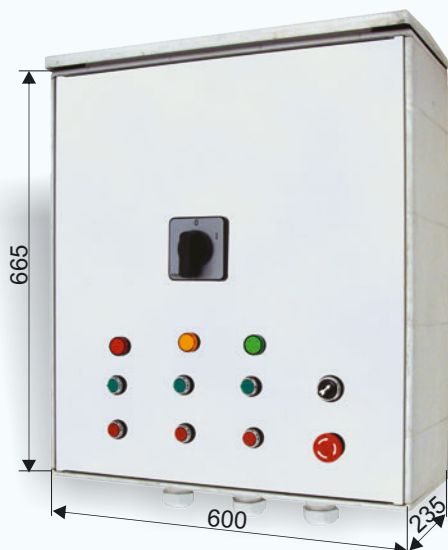
These boxes are mainly used for two measuring devices, distributed vertically. In order to install more measuring devices, they can be installed beside the first one or one above each other.



This multipurpose modular universal box is made for montage on the pole, in the wall, on the wall, freestanding with ground base and freestanding with underground base.

It is made from pressed non- burning polyester, reinforced with glass fibers. It is resistant to strokes, bending and has high dielectrical strength. Boxes are also resistant to weather conditions, as well as UV-rays. They have no harmful effect to the surroundings and can be completely recycled. They provide good mechanical and electrical protection and they fall under highly insulated boxes. By adding gasket rubber on doors, windows and other holes high degree of sealing IP 54 is achieved. **For it's good technical characteristics they can be used in wet rooms, ambiances with high presence of acid, dust or salt, power plants, rooms with high and low temperatures, industrial facilities etc. Usage is very simple and without additional maintenance.** Usage and montage are very simplified. They count as highly sealed boxes. In accordance with Europeans standards and norms we have developed wide range of additional equipment for boxes. At customer request we deliver boxes complete equipped according to technical instruction submitted by the customer.





Boxes switches and control lamps



Measuring boxes



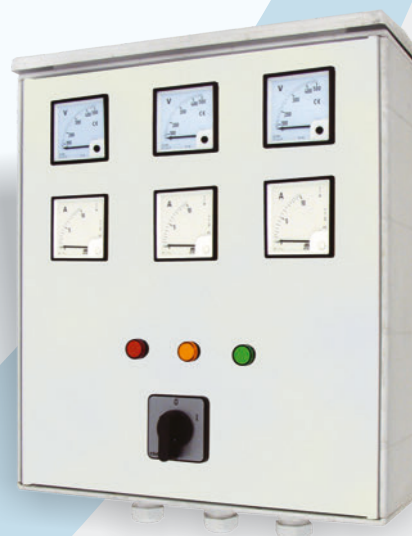
Boxes with connection accessories



Boxes with automatics



Interior of box with connection accessories



Boxes with measuring devices

They can be used as measuring, measuring - command, for public lighting, distribution, commanding boxes for automatic in facilities etc.

POST MOUNTED
MRO2-S 600x665x235

CABINETS FOR POLE MOUNTING WITH BACK CARRIERS

| Code no. | Type |
|----------|-----------------------|
| 5702010 | MRO2-S 600x665x235 P |
| 5702020 | MRO2-S 600x665x235 PT |
| 5702030 | MRO2-S 600x665x235 PE |
| 5702040 | MRO2-S 600x665x235 PS |
| 5702050 | MRO2-S 600x665x235 SS |
| 5702060 | MRO2-S 600x665x235 SL |
| 5702070 | MRO2-S 600x665x235 SB |

Legenda:

- S** - For pole
- P** - Empty (without equipment)
- PT** - Empty with universal meter panel and connection insulation box
- PE** - Empty with flat extruded meter panel
- PS** - Empty with universal meter panel, connection insulation box and current clamp
- SS** - Wired, with universal meter panel, connection insulation box and current clamps
- SL** - Wired, with universal meter panel, connection insulation box, current clamps and limiters of current (power)
- SB** - Wired, with universal meter panel, connection insulation box, current clamps, limiters of current (power) and metering device

WALL MOUNTED
MRO2-Z 600x665x235

CABINETS FOR WALL MOUNTING WITH A SLOPING ROOF

| Code no. | Type |
|----------|-----------------------|
| 5702110 | MRO2-Z 600x665x235 P |
| 5702120 | MRO2-Z 600x665x235 PT |
| 5702130 | MRO2-Z 600x665x235 PE |
| 5702140 | MRO2-Z 600x665x235 PS |
| 5702150 | MRO2-Z 600x665x235 SS |
| 5702160 | MRO2-Z 600x665x235 SL |
| 5702170 | MRO2-Z 600x665x235 SB |

Legenda:

- Z** - For wall
- P** - Empty (without equipment)
- PT** - Empty with universal meter panel and connection insulation box
- PE** - Empty with flat extruded meter panel
- PS** - Empty with universal meter panel, connection insulation box and current clamp
- SS** - Wired, with universal meter panel, connection insulation box and current clamps
- SL** - Wired, with universal meter panel, connection insulation box, current clamps and limiters of current (power)
- SB** - Wired, with universal meter panel, connection insulation box, current clamps, limiters of current (power) and metering device

MOUNTED IN WALL

MRO2-U 600x665x235

CABINETS FOR MOUNTING IN A WALL
WITHOUT A SLOPING ROOF

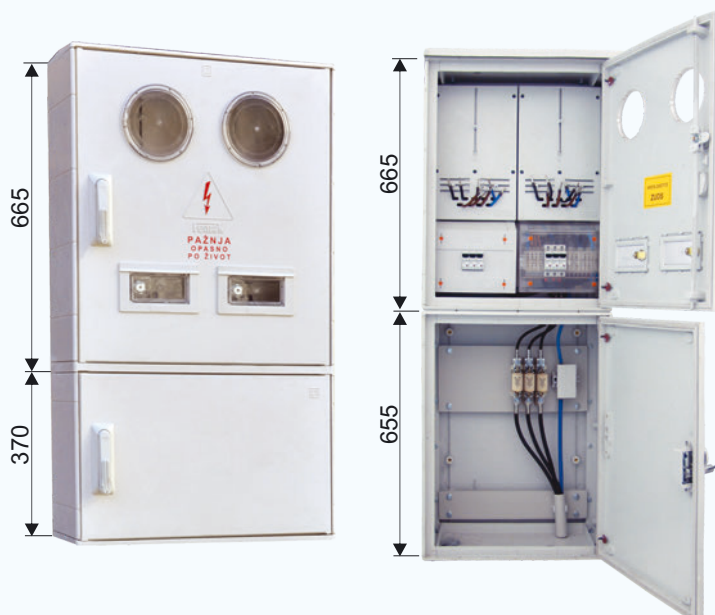
| Code no. | Type |
|----------|-----------------------|
| 5702210 | MRO2-U 600x665x235 P |
| 5702220 | MRO2-U 600x665x235 PT |
| 5702230 | MRO2-U 600x665x235 PE |
| 5702240 | MRO2-U 600x665x235 PS |
| 5702250 | MRO2-U 600x665x235 SS |
| 5702260 | MRO2-U 600x665x235 SL |
| 5702270 | MRO2-U 600x665x235 SB |

Legenda:

- U** - In wall
- P** - Empty (without equipment)
- PT** - Empty with universal meter panel and connection insulation box
- PE** - Empty with flat extruded meter panel
- PS** - Empty with universal meter panel, connection insulation box and current clamp
- SS** - Wired, with universal meter panel, connection insulation box and current clamps
- SL** - Wired, with universal meter panel, connection insulation box, current clamps and limiters of current (power)
- SB** - Wired, with universal meter panel, connection insulation box, current clamps, limiters of current (power) and metering device

FREESTANDING BOXES WITH GROUND BASE

MRO2-SSN 600x1035x235



| Code no. | Type |
|----------|--------------------------|
| 5702310 | MRO2-SSN 600x1035x235 P |
| 5702320 | MRO2-SSN 600x1035x235 PT |
| 5702330 | MRO2-SSN 600x1035x235 PE |
| 5702340 | MRO2-SSN 600x1035x235 PS |
| 5702350 | MRO2-SSN 600x1035x235 SS |
| 5702360 | MRO2-SSN 600x1035x235 SL |
| 5702370 | MRO2-SSN 600x1035x235 SB |

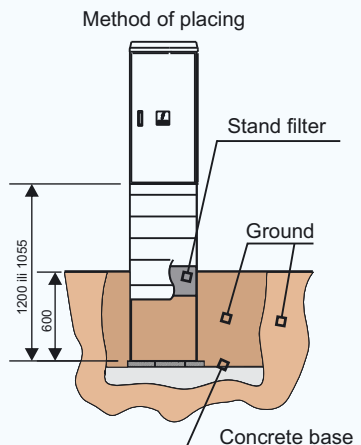
Slobodnostojeći nadzemni ormani mogu se montirati na poliesterska uzemna postolja.

Legenda:

- SSN** - Freestanding on ground
- P** - Empty (without equipment)
- PT** - Empty with universal meter panel and connection insulation box
- PE** - Empty with flat extruded meter panel
- PS** - Empty with universal meter panel, connection insulation box and current clamp
- SS** - Wired, with universal meter panel, connection insulation box and current clamps
- SL** - Wired, with universal meter panel, connection insulation box, current clamps and limiters of current (power)
- SB** - Wired, with universal meter panel, connection insulation box, current clamps, limiters of current (power) and metering device

FREESTANDING BOXES WITH UNDERGROUND BASE

MRO2-SSU 320x1720x235



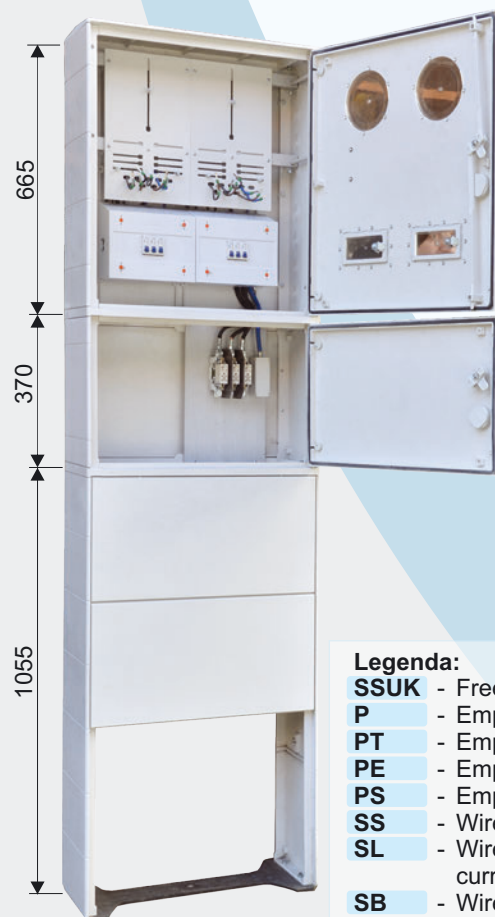
| Code no. | Type |
|----------|--------------------------|
| 5702410 | MRO2-SSU 600x1720x235 P |
| 5702420 | MRO2-SSU 600x1720x235 PT |
| 5702430 | MRO2-SSU 600x1720x235 PE |
| 5702440 | MRO2-SSU 600x1720x235 PS |
| 5702450 | MRO2-SSU 600x1720x235 SS |
| 5702460 | MRO2-SSU 600x1720x235 SL |
| 5702470 | MRO2-SSU 600x1720x235 SB |

Legenda:

- SSU** - Freestanding underground
- P** - Empty (without equipment)
- PT** - Empty with universal meter panel and connection insulation box
- PE** - Empty with flat extruded meter panel
- PS** - Empty with universal meter panel, connection insulation box and current clamp
- SS** - Wired, with universal meter panel, connection insulation box and current clamps
- SL** - Wired, with universal meter panel, connection insulation box, current clamps and limiters of current (power)
- SB** - Wired, with universal meter panel, connection insulation box, current clamps, limiters of current (power) and metering device

FREESTANDING BOXES WITH UNDERGROUND BASE AND KPK

MRO2-SSUK 320x2090x235



| Code no. | Type |
|----------|---------------------------|
| 5702411 | MRO2-SSUK 600x2090x235 P |
| 5702421 | MRO2-SSUK 600x2090x235 PT |
| 5702431 | MRO2-SSUK 600x2090x235 PE |
| 5702441 | MRO2-SSUK 600x2090x235 PS |
| 5702451 | MRO2-SSUK 600x2090x235 SS |
| 5702461 | MRO2-SSUK 600x2090x235 SL |
| 5702471 | MRO2-SSUK 600x2090x235 SB |

Legenda:

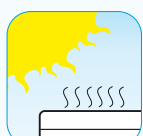
- SSUK** - Freestanding underground with cable connection box
- P** - Empty (without equipment)
- PT** - Empty with universal meter panel and connection insulation box
- PE** - Empty with flat extruded meter panel
- PS** - Empty with universal meter panel, connection insulation box and current clamp
- SS** - Wired, with universal meter panel, connection insulation box and current clamps
- SL** - Wired, with universal meter panel, connection insulation box, current clamps and limiters of current (power)
- SB** - Wired, with universal meter panel, connection insulation box, current clamps, limiters of current (power) and metering device



FEMAN POLYESTER BOXES - CHARACTERISTICS



resistant to mechanical impact



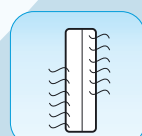
UV resistance



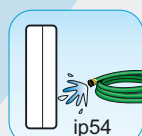
water resistance



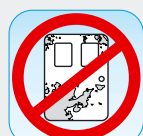
resistant to colour changing



resistant to bending



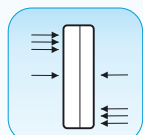
non hygroscopic material



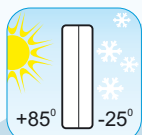
corrosion resistant



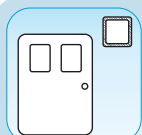
non burning (flame retardant)



high elastic performance



+85° -25°
high and low temperature resistance



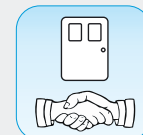
double layer insulation



dust resistance

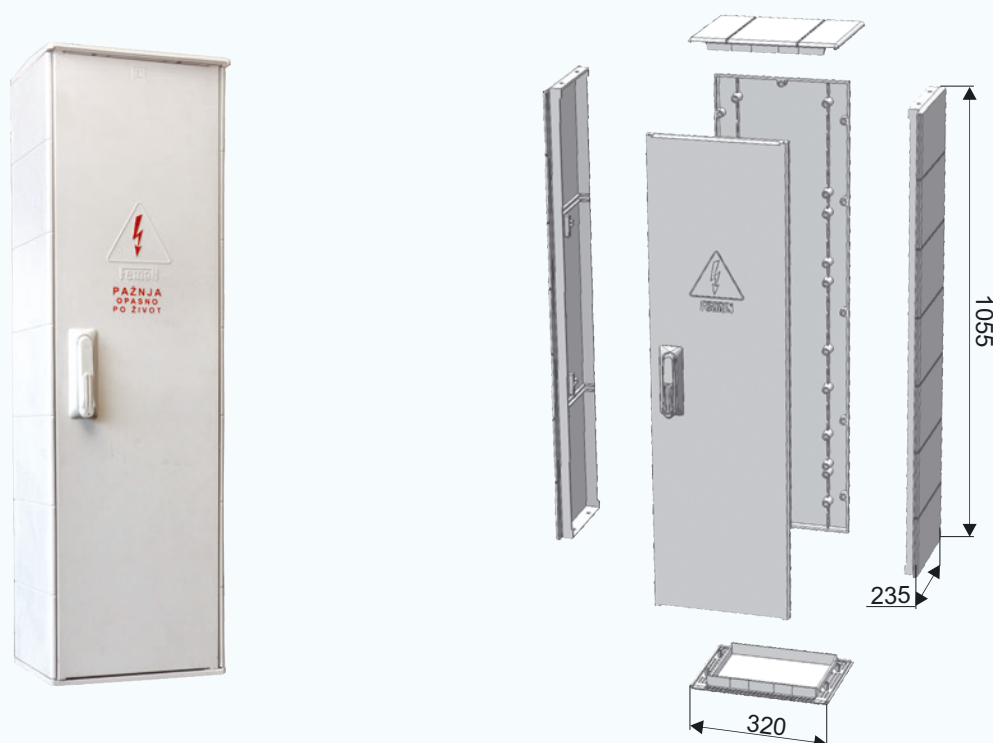


electrical resistance



easy montage

These boxes are mainly used for mounting up to two measuring devices, distributed vertically. In order to install more measuring devices, they can be installed beside the first one or one above each other.



This multipurpose modular universal box is made for montage on the pole, in the wall, on the wall, freestanding with ground base and freestanding with underground base.

It is made from pressed non-burning polyester, reinforced with glass fibers. It is resistant to strokes, bending and has high dielectric strength. Boxes are also resistant to weather conditions, as well as UV-rays. They have no harmful effect to the surroundings and can be completely recycled. They provide good mechanical and electrical protection and they fall under highly insulated boxes. By adding gasket rubber on doors, windows and other holes high degree of sealing IP 54 is achieved. **For its good technical characteristics they can be used in wet rooms, ambiances with high presence of acid, dust or salt, power plants, rooms with high and low temperatures, industrial facilities etc. Usage is very simple and without additional maintenance.** Usage and montage are very simplified. They count as highly sealed boxes.

In accordance with European standards and norms we have developed wide range of additional equipment for boxes. At customer request we deliver boxes complete equipped according to technical instruction submitted by the customer.





They can be used as measuring, measuring - command, for public lighting, distribution, commanding boxes for automatic in facilities etc.

POLE MOUNTED
MRO2V-S 320x1055x235


| Code no. | Type |
|----------|-------------------------|
| 5703010 | MRO2V-S 320x1055x235 P |
| 5703020 | MRO2V-S 320x1055x235 PT |
| 5703030 | MRO2V-S 320x1055x235 PE |
| 5703040 | MRO2V-S 320x1055x235 PS |
| 5703050 | MRO2V-S 320x1055x235 SS |
| 5703060 | MRO2V-S 320x1055x235 SL |
| 5703070 | MRO2V-S 320x1055x235 SB |

Legenda:

- S** - For pole
- P** - Empty (without equipment)
- PT** - Empty with universal meter panel and connection insulation box
- PE** - Empty with flat extruded meter panel
- PS** - Empty with universal meter panel, connection insulation box and current clamp
- SS** - Wired, with universal meter panel, connection insulation box and current clamps
- SL** - Wired, with universal meter panel, connection insulation box, current clamps and limiters of current (power)
- SB** - Wired, with universal meter panel, connection insulation box, current clamps, limiters of current (power) and metering device

WALL MOUNTED
MRO2V-Z 320x1055x235


| Code no. | Type |
|----------|-------------------------|
| 5703110 | MRO2V-Z 320x1055x235 P |
| 5703120 | MRO2V-Z 320x1055x235 PT |
| 5703130 | MRO2V-Z 320x1055x235 PE |
| 5703140 | MRO2V-Z 320x1055x235 PS |
| 5703150 | MRO2V-Z 320x1055x235 SS |
| 5703160 | MRO2V-Z 320x1055x235 SL |
| 5703170 | MRO2V-Z 320x1055x235 SB |

Legenda:

- Z** - For wall
- P** - Empty (without equipment)
- PT** - Empty with universal meter panel and connection insulation box
- PE** - Empty with flat extruded meter panel
- PS** - Empty with universal meter panel, connection insulation box and current clamp
- SS** - Wired, with universal meter panel, connection insulation box and current clamps
- SL** - Wired, with universal meter panel, connection insulation box, current clamps and limiters of current (power)
- SB** - Wired, with universal meter panel, connection insulation box, current clamps, limiters of current (power) and metering device

MOUNTED IN WALL

MRO2V-U 320x1055x235



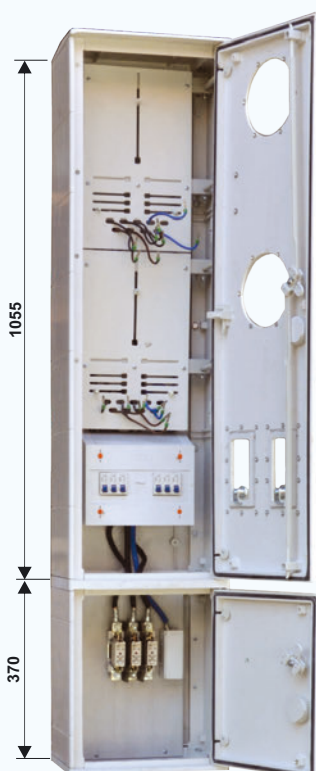
| Code no. | Type |
|----------|-------------------------|
| 5703210 | MRO2V-U 320x1055x235 P |
| 5703220 | MRO2V-U 320x1055x235 PT |
| 5703230 | MRO2V-U 320x1055x235 PE |
| 5703240 | MRO2V-U 320x1055x235 PS |
| 5703250 | MRO2V-U 320x1055x235 SS |
| 5703260 | MROV-U 320x1055x235 SL |
| 5703070 | MRO2V-U 320x1055x235 SB |

Legenda:

- U** - In wall
- P** - Empty (without equipment)
- PT** - Empty with universal meter panel and connection insulation box
- PE** - Empty with flat extruded meter panel
- PS** - Empty with universal meter panel, connection insulation box and current clamp
- SS** - Wired, with universal meter panel, connection insulation box and current clamps
- SL** - Wired, with universal meter panel, connection insulation box, current clamps and limiters of current (power)
- SB** - Wired, with universal meter panel, connection insulation box, current clamps, limiters of current (power) and metering device

FREESTANDING BOXES WITH GROUND BASE

MRO2V-SSN 320x1425x235



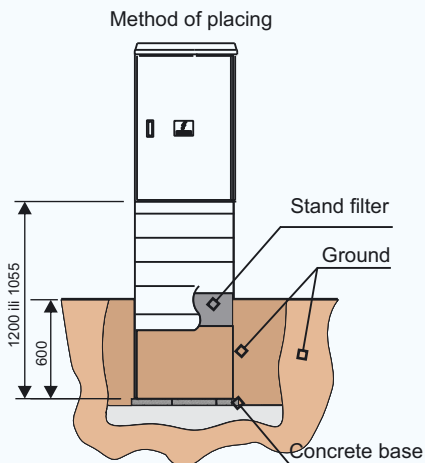
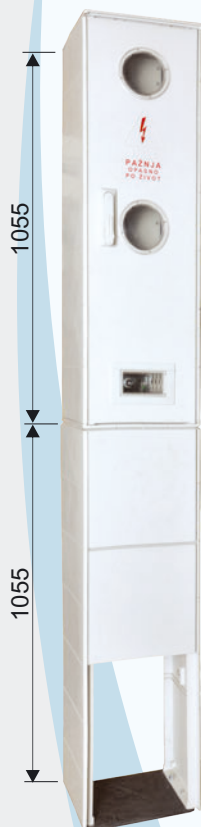
| Code no. | Type |
|----------|---------------------------|
| 5703310 | MRO2V-SSN 320x1425x235 P |
| 5703320 | MRO2V-SSN 320x1425x235 PT |
| 5703330 | MRO2V-SSN 320x1425x235 PE |
| 5703340 | MRO2V-SSN 320x1425x235 PS |
| 5703350 | MRO2V-SSN 320x1425x235 SS |
| 5703360 | MRO2V-SSN 320x1425x235 SL |
| 5703370 | MRO2V-SSN 320x1425x235 SB |

Legenda:

- SSN** - Freestanding on ground
- P** - Empty (without equipment)
- PT** - Empty with universal meter panel and connection insulation box
- PE** - Empty with flat extruded meter panel
- PS** - Empty with universal meter panel, connection insulation box and current clamp
- SS** - Wired, with universal meter panel, connection insulation box and current clamps
- SL** - Wired, with universal meter panel, connection insulation box, current clamps and limiters of current (power)
- SB** - Wired, with universal meter panel, connection insulation box, current clamps, limiters of current (power) and metering device

FREESTANDING BOXES WITH UNDERGROUND BASE

MRO2V-SSU 320x2110x235



| Code no. | Type |
|----------|---------------------------|
| 5703410 | MRO2V-SSU 320x2110x235 P |
| 5703420 | MRO2V-SSU 320x2110x235 PT |
| 5703430 | MRO2V-SSU 320x2110x235 PE |
| 5703440 | MRO2V-SSU 320x2110x235 PS |
| 5703450 | MRO2V-SSU 320x2110x235 SS |
| 5703460 | MRO2V-SSU 320x2110x235 SL |
| 5703470 | MRO2V-SSU 320x2110x235 SB |

Legenda:

- SSU** - Freestanding underground
- P** - Empty (without equipment)
- PT** - Empty with universal meter panel and connection insulation box
- PE** - Empty with flat extruded meter panel
- PS** - Empty with universal meter panel, connection insulation box and current clamp
- SS** - Wired, with universal meter panel, connection insulation box and current clamps
- SL** - Wired, with universal meter panel, connection insulation box, current clamps and limiters of current (power)
- SB** - Wired, with universal meter panel, connection insulation box, current clamps, limiters of current (power) and metering device

FREESTANDING BOXES WITH UNDERGROUND BASE AND KPK MRO2V-SSUK 320x2480x235



| Code no. | Type |
|----------|----------------------------|
| 5703411 | MRO2V-SSUK 320x2480x235 P |
| 5703421 | MRO2V-SSUK 320x2480x235 PT |
| 5703431 | MRO2V-SSUK 320x2480x235 PE |
| 5703441 | MRO2V-SSUK 320x2480x235 PS |
| 5703451 | MRO2V-SSUK 320x2480x235 SS |
| 5703461 | MRO2V-SSUK 320x2480x235 SL |
| 5703471 | MRO2V-SSUK 320x2480x235 SB |

Legenda:

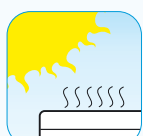
- SSUK** - Freestanding underground with cable connection box
- P** - Empty (without equipment)
- PT** - Empty with universal meter panel and connection insulation box
- PE** - Empty with flat extruded meter panel
- PS** - Empty with universal meter panel, connection insulation box and current clamp
- SS** - Wired, with universal meter panel, connection insulation box and current clamps
- SL** - Wired, with universal meter panel, connection insulation box, current clamps and limiters of current (power)
- SB** - Wired, with universal meter panel, connection insulation box, current clamps, limiters of current (power) and metering device



FEMAN POLYESTER BOXES - CHARACTERISTICS



resistant to mechanical impact



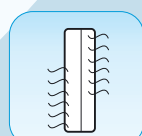
UV resistance



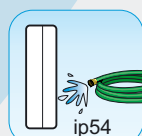
water resistance



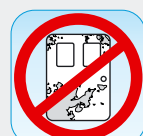
resistant to colour changing



resistant to bending



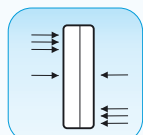
non hygroscopic material



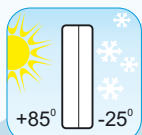
corrosion resistant



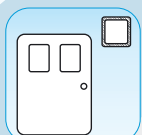
non burning (flame retardant)



high elastic performance



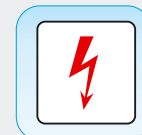
high and low temperature resistance



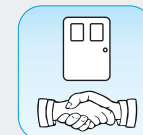
double layer insulation



dust resistance



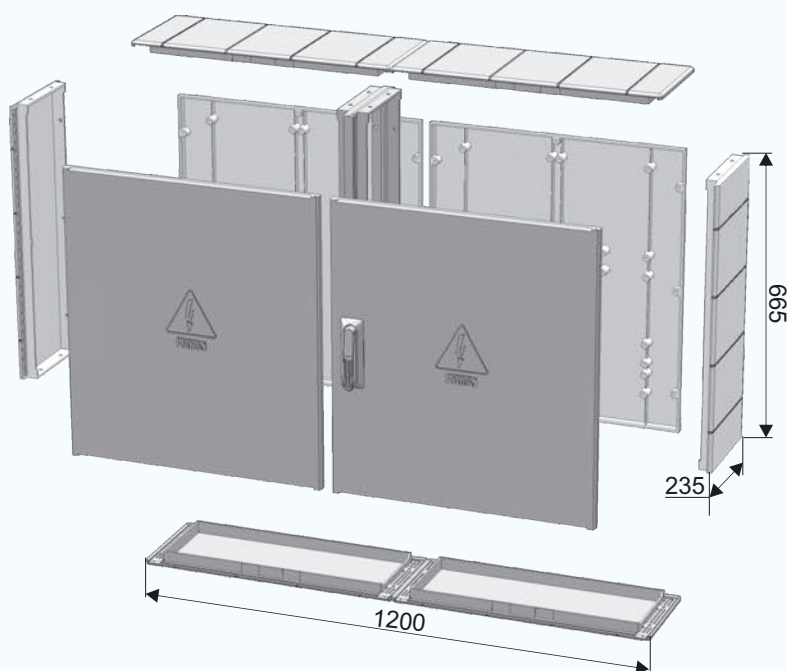
electrical resistance



easy montage

TEHNICAL DESCRIPTION OF MODULAR- MEASURING AND DISTRIBUTION BOXES

These boxes are mainly used for four measuring devices. In order to install more measuring devices, they can be installed beside the first one or one above each other.



This multipurpose modular universal box is made for montage on the pole, in the wall, on the wall, freestanding with ground base and freestanding with underground base.

It is made from pressed non- burning polyester, reinforced with glass fibers. It is resistant to strokes, bending and has high dielectrical strength. Boxes are also resistant to weather conditions, as well as UV-rays. They have no harmful effect to the surroundings and can be completely recycled. They provide good mechanical and electrical protection and they fall under highly insulated boxes. By adding gasket rubber on doors, windows and other holes high degree of sealing IP 54 is achieved. **For it's good technical characteristics they can be used in wet rooms, ambiances with high presence of acid, dust or salt, power plants, rooms with high and low temperatures, industrial facilities etc. Usage is very simple and without additional maintenance.** Usage and montage are very simplified. They count as highly sealed boxes.

In accordance with Europeans standards and norms we have developed wide range of additional equipment for boxes. At customer request we deliver boxes complete equipped according to technical instruction submitted by the customer.



POLE MOUNTED
MRO4H-S 1200x665x235


| Code no. | Type |
|----------|-------------------------|
| 5705010 | MRO4H-S 1200x665x235 P |
| 5705020 | MRO4H-S 1200x665x235 PT |
| 5705030 | MRO4H-S 1200x665x235 PE |
| 5705040 | MRO4H-S 1200x665x235 PS |
| 5705050 | MRO4H-S 1200x665x235 SS |
| 5705060 | MRO4H-S 1200x665x235 SL |
| 5705070 | MRO4H-S 1200x665x235 SB |

Legenda:

- S** - For pole
- P** - Empty (without equipment)
- PT** - Empty with universal meter panel and connection insulation box
- PE** - Empty with flat extruded meter panel
- PS** - Empty with universal meter panel, connection insulation box and current clamp
- SS** - Wired, with universal meter panel, connection insulation box and current clamps
- SL** - Wired, with universal meter panel, connection insulation box, current clamps and limiters of current (power)
- SB** - Wired, with universal meter panel, connection insulation box, current clamps, limiters of current (power) and metering device

WALL MOUNTED
MRO4H-Z 1200x665x235


| Code no. | Type |
|----------|-------------------------|
| 5705110 | MRO4H-Z 1200x665x235 P |
| 5705120 | MRO4H-Z 1200x665x235 PT |
| 5705130 | MRO4H-Z 1200x665x235 PE |
| 5705140 | MRO4H-Z 1200x665x235 PS |
| 5705150 | MRO4H-Z 1200x665x235 SS |
| 5705160 | MRO4H-Z 1200x665x235 SL |
| 5705170 | MRO4H-Z 1200x665x235 SB |

Legenda:

- Z** - For wall
- P** - Empty (without equipment)
- PT** - Empty with universal meter panel and connection insulation box
- PE** - Empty with flat extruded meter panel
- PS** - Empty with universal meter panel, connection insulation box and current clamp
- SS** - Wired, with universal meter panel, connection insulation box and current clamps
- SL** - Wired, with universal meter panel, connection insulation box, current clamps and limiters of current (power)
- SB** - Wired, with universal meter panel, connection insulation box, current clamps, limiters of current (power) and metering device

MOUNTED IN WALL

MRO4H-U 1200x665x235



| Code no. | Type |
|----------|-------------------------|
| 5705210 | MRO4H-U 1200x665x235 P |
| 5705220 | MRO4H-U 1200x665x235 PT |
| 5705230 | MRO4H-U 1200x665x235 PE |
| 5705240 | MRO4H-U 1200x665x235 PS |
| 5705250 | MRO4H-U 1200x665x235 SS |
| 5705260 | MRO4H-U 1200x665x235 SL |
| 5705270 | MRO4H-U 1200x665x235 SB |

Legenda:

- U** - In wall
- P** - Empty (without equipment)
- PT** - Empty with universal meter panel and connection insulation box
- PE** - Empty with flat extruded meter panel
- PS** - Empty with universal meter panel, connection insulation box and current clamp
- SS** - Wired, with universal meter panel, connection insulation box and current clamps
- SL** - Wired, with universal meter panel, connection insulation box, current clamps and limiters of current (power)
- SB** - Wired, with universal meter panel, connection insulation box, current clamps, limiters of current (power) and metering device

FREESTANDING BOXES WITH GROUND BASE

MRO4H-SSN 1200x1035x235



| Code no. | Type |
|----------|----------------------------|
| 5705310 | MRO4H-SSN 1200x1035x235 P |
| 5705320 | MRO4H-SSN 1200x1035x235 PT |
| 5705330 | MRO4H-SSN 1200x1035x235 PE |
| 5705340 | MRO4H-SSN 1200x1035x235 PS |
| 5705350 | MRO4H-SSN 1200x1035x235 SS |
| 5705360 | MRO4H-SSN 1200x1035x235 SL |
| 5705370 | MRO4H-SSN 1200x1035x235 SB |

Legenda:

- SSN** - Freestanding on ground
- P** - Empty (without equipment)
- PT** - Empty with universal meter panel and connection insulation box
- PE** - Empty with flat extruded meter panel
- PS** - Empty with universal meter panel, connection insulation box and current clamp
- SS** - Wired, with universal meter panel, connection insulation box and current clamps
- SL** - Wired, with universal meter panel, connection insulation box, current clamps and limiters of current (power)
- SB** - Wired, with univ. meter panel, con. insulation box, current clamps, limiters of current (power) and metering device

FREESTANDING BOXES WITH UNDERGROUND BASE

MRO4H-SSU 1200x1720x235



| Code no. | Type |
|----------|----------------------------|
| 5705410 | MRO4H-SSU 1200x1720x235 P |
| 5705420 | MRO4H-SSU 1200x1720x235 PT |
| 5705430 | MRO4H-SSU 1200x1720x235 PE |
| 5705440 | MRO4H-SSU 1200x1720x235 PS |
| 5705450 | MRO4H-SSU 1200x1720x235 SS |
| 5705460 | MRO4H-SSU 1200x1720x235 SL |
| 5705470 | MRO4H-SSU 1200x1720x235 SB |

Legenda:

- SSU** - Freestanding underground
- P** - Empty (without equipment)
- PT** - Empty with universal meter panel and connection insulation box
- PE** - Empty with flat extruded meter panel
- PS** - Empty with universal meter panel, connection insulation box and current clamp
- SS** - Wired, with universal meter panel, connection insulation box and current clamps
- SL** - Wired, with universal meter panel, connection insulation box, current clamps and limiters of current (power)
- SB** - Wired, with universal meter panel, connection insulation box, current clamps, limiters of current (power) and metering device

FREESTANDING BOXES WITH UNDERGROUND BASE AND KPK MRO4H-SSUK 1200x2090x235



| Code no. | Type |
|----------|-----------------------------|
| 5705411 | MRO4H-SSUK 1200x2090x235 P |
| 5705421 | MRO4H-SSUK 1200x2090x235 PT |
| 5705431 | MRO4H-SSUK 1200x2090x235 PE |
| 5705441 | MRO4H-SSUK 1200x2090x235 PS |
| 5705451 | MRO4H-SSUK 1200x2090x235 SS |
| 5705461 | MRO4H-SSUK 1200x2090x235 SL |
| 5705471 | MRO4H-SSUK 1200x2090x235 SB |

Legenda:

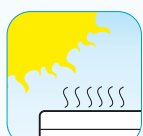
- SSUK** - Freestanding underground with cable connection box
- P** - Empty (without equipment)
- PT** - Empty with universal meter panel and connection insulation box
- PE** - Empty with flat extruded meter panel
- PS** - Empty with universal meter panel, connection insulation box and current clamp
- SS** - Wired, with universal meter panel, connection insulation box and current clamps
- SL** - Wired, with universal meter panel, connection insulation box, current clamps and limiters of current (power)
- SB** - Wired, with universal meter panel, connection insulation box, current clamps, limiters of current (power) and metering device



FEMAN POLYESTER BOXES - CHARACTERISTICS



resistant to mechanical impact



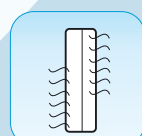
UV resistance



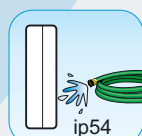
water resistance



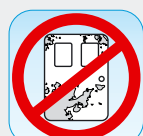
resistant to colour changing



resistant to bending



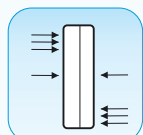
non hygroscopic material



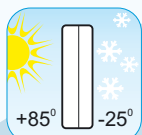
corrosion resistant



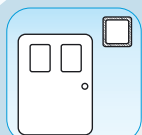
non burning (flame retardant)



high elastic performance



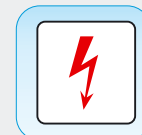
high and low temperature resistance



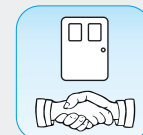
double layer insulation



dust resistance



electrical resistance



easy montage

TEHNICAL DESCRIPTION OF MODULAR- MEASURING AND DISTRIBUTION BOXES

These boxes are mainly used for four measuring devices, distributed vertically. In order to install more measuring devices, they can be installed beside the first one or one above each other.



This multipurpose modular universal box is made for montage on the pole, in the wall, on the wall, freestanding with ground base and freestanding with underground base.

It is made from pressed non- burning polyester, reinforced with glass fibers. It is resistant to strokes, bending and has high dialectical strength. Boxes are also resistant to weather conditions, as well as UV-rays. They have no harmful effect to the surroundings and can be completely recycled. They provide good mechanical and electrical protection and they fall under highly insulated boxes. By adding gasket rubber on doors, windows and other holes high degree of sealing IP 54 is achieved. **For it's good technical characteristics they can be used in wet rooms, ambiances with high presence of acid, dust or salt, power plants, rooms with high and low temperatures, industrial facilities etc. Usage is very simple and without additional maintenance.** Usage and montage are very simplified. They count as highly sealed boxes.

In accordance with Europeans standards and norms we have developed wide range of additional equipment for boxes. At customer request we deliver boxes complete equipped according to technical instruction submitted by the customer.





They can be used as measuring, measuring - command, for public lighting, distribution, commanding boxes for automatic in facilities etc.

POLE MOUNTED
MRO4-S 600x1055x235


| Code no. | Type |
|----------|------------------------|
| 5704010 | MRO4-S 600x1055x235 P |
| 5704020 | MRO4-S 600x1055x235 PT |
| 5704030 | MRO4-S 600x1055x235 PE |
| 5704040 | MRO4-S 600x1055x235 PS |
| 5704050 | MRO4-S 600x1055x235 SS |
| 5704060 | MRO4-S 600x1055x235 SL |
| 5704070 | MRO4-S 600x1055x235 SB |

Legenda:

- S** - For pole
- P** - Empty (without equipment)
- PT** - Empty with universal meter panel and connection insulation box
- PE** - Empty with flat extruded meter panel
- PS** - Empty with universal meter panel, connection insulation box and current clamp
- SS** - Wired, with universal meter panel, connection insulation box and current clamps
- SL** - Wired, with universal meter panel, connection insulation box, current clamps and limiters of current (power)
- SB** - Wired, with universal meter panel, connection insulation box, current clamps, limiters of current (power) and metering device

WALL MOUNTED
MRO4-Z 600x1055x235


| Code no. | Type |
|----------|------------------------|
| 5704110 | MRO4-Z 600x1055x235 P |
| 5704120 | MRO4-Z 600x1055x235 PT |
| 5704130 | MRO4-Z 600x1055x235 PE |
| 5704140 | MRO4-Z 600x1055x235 PS |
| 5704150 | MRO4-Z 600x1055x235 SS |
| 5704160 | MRO4-Z 600x1055x235 SL |
| 5704170 | MRO4-Z 600x1055x235 SB |

Legenda:

- Z** - For wall
- P** - Empty (without equipment)
- PT** - Empty with universal meter panel and connection insulation box
- PE** - Empty with flat extruded meter panel
- PS** - Empty with universal meter panel, connection insulation box and current clamp
- SS** - Wired, with universal meter panel, connection insulation box and current clamps
- SL** - Wired, with universal meter panel, connection insulation box, current clamps and limiters of current (power)
- SB** - Wired, with universal meter panel, connection insulation box, current clamps, limiters of current (power) and metering device

MOUNTED IN WALL

MRO4-U 600x1055x235



| Code no. | Type |
|----------|------------------------|
| 5704210 | MRO4-U 600x1055x235 P |
| 5704220 | MRO4-U 600x1055x235 PT |
| 5704230 | MRO4-U 600x1055x235 PE |
| 5704240 | MRO4-U 600x1055x235 PS |
| 5704250 | MRO4-U 600x1055x235 SS |
| 5704260 | MRO4-U 600x1055x235 SL |
| 5704270 | MRO4-U 600x1055x235 SB |

Legenda:

- U** - For wall
- P** - Empty (without equipment)
- PT** - Empty with universal meter panel and connection insulation box
- PE** - Empty with flat extruded meter panel
- PS** - Empty with universal meter panel, connection insulation box and current clamp
- SS** - Wired, with universal meter panel, connection insulation box and current clamps
- SL** - Wired, with universal meter panel, connection insulation box, current clamps and limiters of current (power)
- SB** - Wired, with universal meter panel, connection insulation box, current clamps, limiters of current (power) and metering device

FREESTANDING BOXES WITH GROUND BASE

MRO4-SSN 600x1425x235



Freestanding on ground cabinets can be mounted on the grounding polyester base.

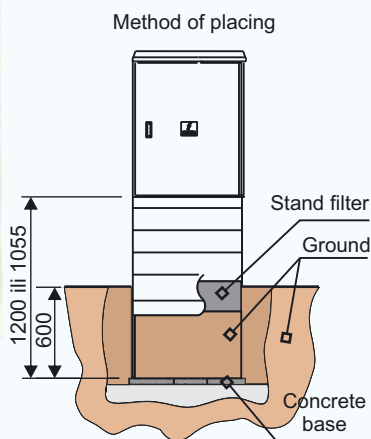
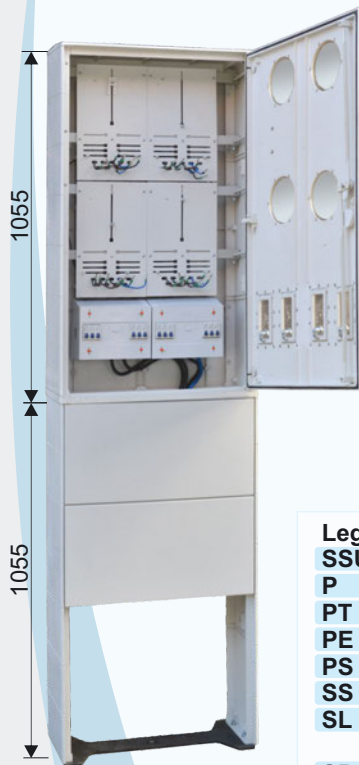
| Code no. | Type |
|----------|--------------------------|
| 5704310 | MRO4-SSN 600x1425x235 P |
| 5704320 | MRO4-SSN 600x1425x235 PT |
| 5704330 | MRO4-SSN 600x1425x235 PE |
| 5704340 | MRO4-SSN 600x1425x235 PS |
| 5704350 | MRO4-SSN 600x1425x235 SS |
| 5704360 | MRO4-SSN 600x1425x235 SL |
| 5704370 | MRO4-SSN 600x1425x235 SB |

Legenda:

- SSN** - Freestanding on ground
- P** - Empty (without equipment)
- PT** - Empty with universal meter panel and connection insulation box
- PE** - Empty with flat extruded meter panel
- PS** - Empty with universal meter panel, connection insulation box and current clamp
- SS** - Wired, with universal meter panel, connection insulation box and current clamps
- SL** - Wired, with universal meter panel, connection insulation box, current clamps and limiters of current (power)
- SB** - Wired, with univ. meter panel, con. insulation box, current clamps, limiters of current (power) and metering device

FREESTANDING BOXES WITH UNDERGROUND BASE

MRO4-SSU 600x2110x235



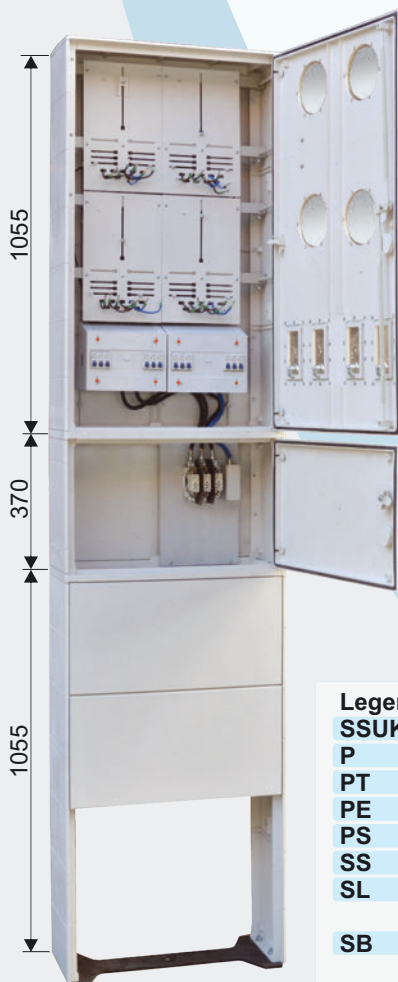
| Code no. | Type |
|----------|--------------------------|
| 5704410 | MRO4-SSU 600x2110x235 P |
| 5704420 | MRO4-SSU 600x2110x235 PT |
| 5704430 | MRO4-SSU 600x2110x235 PE |
| 5704440 | MRO4-SSU 600x2110x235 PS |
| 5704450 | MRO4-SSU 600x2110x235 SS |
| 5704460 | MRO4-SSU 600x2110x235 SL |
| 5704470 | MRO4-SSU 600x2110x235 SB |

Legenda:

- SSU** - Freestanding underground
- P** - Empty (without equipment)
- PT** - Empty with universal meter panel and connection insulation box
- PE** - Empty with flat extruded meter panel
- PS** - Empty with universal meter panel, connection insulation box and current clamp
- SS** - Wired, with universal meter panel, connection insulation box and current clamps
- SL** - Wired, with universal meter panel, connection insulation box, current clamps and limiters of current (power)
- SB** - Wired, with universal meter panel, connection insulation box, current clamps, limiters of current (power) and metering device

FREESTANDING BOXES WITH UNDERGROUND BASE AND KPK

MRO4-SSUK 600x2480x235



| Code no. | Type |
|----------|---------------------------|
| 5704411 | MRO4-SSUK 600x2480x235 P |
| 5704421 | MRO4-SSUK 600x2480x235 PT |
| 5704431 | MRO4-SSUK 600x2480x235 PE |
| 5704441 | MRO4-SSUK 600x2480x235 PS |
| 5704451 | MRO4-SSUK 600x2480x235 SS |
| 5704461 | MRO4-SSUK 600x2480x235 SL |
| 5704471 | MRO4-SSUK 600x2480x235 SB |

Legenda:

- SSUK** - Freestanding underground with cable connectioni box
- P** - Empty (without equipment)
- PT** - Empty with universal meter panel and connection insulation box
- PE** - Empty with flat extruded meter panel
- PS** - Empty with universal meter panel, connection insulation box and current clamp
- SS** - Wired, with universal meter panel, connection insulation box and current clamps
- SL** - Wired, with universal meter panel, connection insulation box, current clamps and limiters of current (power)
- SB** - Wired, with universal meter panel, connection insulation box, current clamps, limiters of current (power) and metering device



FEMAN POLYESTER BOXES - CHARACTERISTICS

- resistant to mechanical impact
- UV resistance
- water resistance
- resistant to colour changing
- resistant to bending
- non hygroscopic material ip54
- corrosion resistant
- non burning (flame retardant)
- high elastic performance
- high and low temperature resistance +85° -25°
- double layer insulation
- dust resistance ip54
- electrical resistance
- easy montage

TEHNICAL DESCRIPTION OF MODULAR- MEASURING AND DISTRIBUTION BOXES

These boxes are mainly used for six measuring devices, distributed vertically. In order to install more measuring devices, they can be installed beside the first one or one above each other.

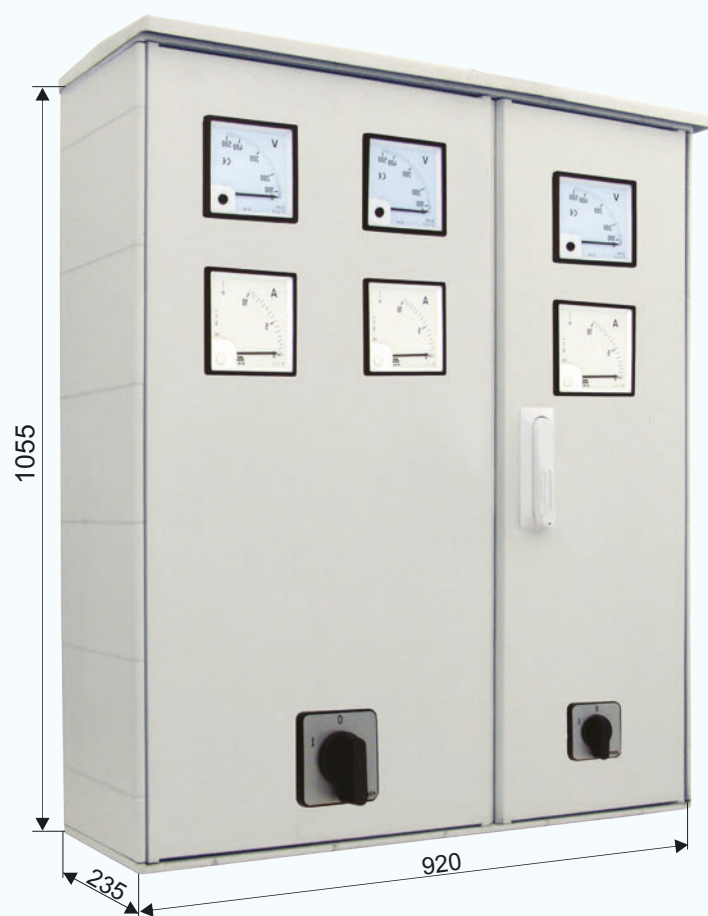


This multipurpose modular universal box is made for montage on the pole, in the wall, on the wall, freestanding with ground base and freestanding with underground base.

It is made from pressed non- burning polyester, reinforced with glass fibers. It is resistant to strokes, bending and has high dielectrical strength. Boxes are also resistant to weather conditions, as well as UV-rays. They have no harmful effect to the surroundings and can be completely recycled. They provide good mechanical and electrical protection and they fall under highly insulated boxes. By adding gasket rubber on doors, windows and other holes high degree of sealing IP 54 is achieved. **For it's good technical characteristics they can be used in wet rooms, ambiances with high presence of acid, dust or salt, power plants, rooms with high and low temperatures, industrial facilities etc. Usage is very simple and without additional maintenance.** Usage and montage are very simplified. They count as highly sealed boxes.

In accordance with Europeans standards and norms we have developed wide range of additional equipment for boxes. At customer request we deliver boxes complete equipped according to technical instruction submitted by the customer.

Note: small and large doors can be set up and the opposite (first narrower then wider).



Cabinet with measuring devices



Cabinet with switches and control lamps

They can be used as measuring, measuring tools, street lighting, distribution boxes, automated drive cabinets, etc.

POLE MOUNTED
MRO6-S 920x1055x235


| Code no. | Type |
|----------|------------------------|
| 5706010 | MRO6-S 920x1055x235 P |
| 5706020 | MRO6-S 920x1055x235 PT |
| 5706030 | MRO6-S 920x1055x235 PE |
| 5706040 | MRO6-S 920x1055x235 PS |
| 5706050 | MRO6-S 920x1055x235 SS |
| 5706060 | MRO6-S 920x1055x235 SL |
| 5706070 | MRO6-S 920x1055x235 SB |

Legenda:

- S** - For pole
- P** - Empty (without equipment)
- PT** - Empty with universal meter panel and connection insulation box
- PE** - Empty with flat extruded meter panel
- PS** - Empty with universal meter panel, connection insulation box and current clamp
- SS** - Wired, with universal meter panel, connection insulation box and current clamps
- SL** - Wired, with universal meter panel, connection insulation box, current clamps and limiters of current (power)
- SB** - Wired, with univ. meter panel, con. insulation box, current clamps, limiters of current (power) and metering device

WALL MOUNTED
MRO6-Z 920x1055x235


| Code no. | Type |
|----------|------------------------|
| 5706110 | MRO6-Z 920x1055x235 P |
| 5706120 | MRO6-Z 920x1055x235 PT |
| 5706130 | MRO6-Z 600x1055x235 PE |
| 5706140 | MRO6-Z 920x1055x235 PS |
| 5706150 | MRO6-Z 920x1055x235 SS |
| 5706160 | MRO6-Z 920x1055x235 SL |
| 5706170 | MRO6-Z 920x1055x235 SB |

Legenda:

- Z** - For wall
- P** - Empty (without equipment)
- PT** - Empty with universal meter panel and connection insulation box
- PE** - Empty with flat extruded meter panel
- PS** - Empty with universal meter panel, connection insulation box and current clamp
- SS** - Wired, with universal meter panel, connection insulation box and current clamps
- SL** - Wired, with universal meter panel, connection insulation box, current clamps and limiters of current (power)
- SB** - Wired, with univ. meter panel, con. insulation box, current clamps, limiters of current (power) and metering device

MOUNTED IN WALL

MRO6-U 920x1055x235



| Code no. | Type |
|----------|------------------------|
| 5706210 | MRO6-U 920x1055x235 P |
| 5706220 | MRO6-U 920x1055x235 PT |
| 5706230 | MRO6-U 920x1055x235 PE |
| 5706240 | MRO6-U 920x1055x235 PS |
| 5706250 | MRO6-U 920x1055x235 SS |
| 5706260 | MRO6-U 920x1055x235 SL |
| 5706270 | MRO6-U 920x1055x235 SB |

Legenda:

- U** - In-wall
- P** - Empty (without equipment)
- PT** - Empty with universal meter panel and connection insulation box
- PE** - Empty with flat extruded meter panel
- PS** - Empty with universal meter panel, connection insulation box and current clamp
- SS** - Wired, with universal meter panel, connection insulation box and current clamps
- SL** - Wired, with universal meter panel, connection insulation box, current clamps and limiters of current (power)
- SB** - Wired, with univ. meter panel, con. insulation box, current clamps, limiters of current (power) and metering device

FREESTANDING BOXES WITH GROUND BASE

MRO6-SSN 920x1425x235



Freestanding on ground cabinets can be mounted on the grounding polyester base.

| Code no. | Type |
|----------|--------------------------|
| 5706310 | MRO6-SSN 920x1425x235 P |
| 5706320 | MRO6-SSN 920x1425x235 PT |
| 5706330 | MRO6-SSN 920x1425x235 PE |
| 5706340 | MRO6-SSN 920x1425x235 PS |
| 5706350 | MRO6-SSN 920x1425x235 SS |
| 5706360 | MRO6-SSN 920x1425x235 SL |
| 5706370 | MRO6-SSN 920x1425x235 SB |

Legenda:

- SSN** - Freestanding on ground
- P** - Empty (without equipment)
- PT** - Empty with universal meter panel and connection insulation box
- PE** - Empty with flat extruded meter panel
- PS** - Empty with universal meter panel, connection insulation box and current clamp
- SS** - Wired, with universal meter panel, connection insulation box and current clamps
- SL** - Wired, with universal meter panel, connection insulation box, current clamps and limiters of current (power)
- SB** - Wired, with univ. meter panel, con. insulation box, current clamps, limiters of current (power) and metering device

FREESTANDING BOXES WITH UNDERGROUND BASE
MRO6-SSU 920x2110x235


| Code no. | Type |
|----------|--------------------------|
| 5706410 | MRO6-SSU 920x2110x235 P |
| 5706420 | MRO6-SSU 920x2110x235 PT |
| 5706430 | MRO6-SSU 920x2110x235 PE |
| 5706440 | MRO6-SSU 920x2110x235 PS |
| 5706450 | MRO6-SSU 920x2110x235 SS |
| 5706460 | MRO6-SSU 920x2110x235 SL |
| 5706470 | MRO6-SSU 920x2110x235 SB |

Legenda:

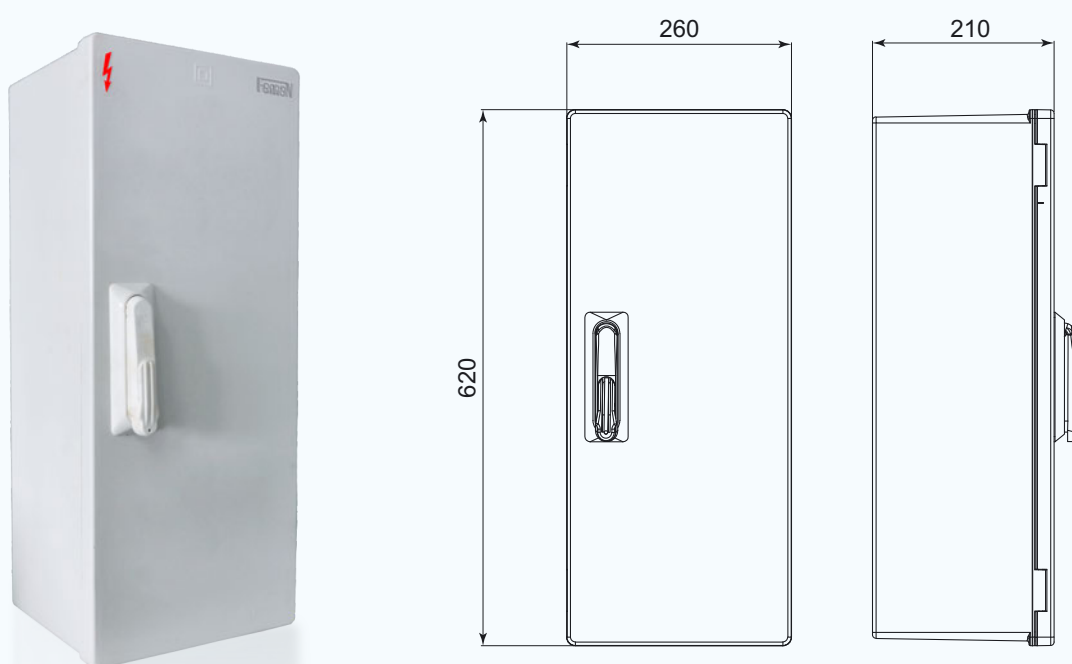
- SSU** - Freestanding underground
- P** - Empty (without equipment)
- PT** - Empty with universal meter panel and connection insulation box
- PE** - Empty with flat extruded meter panel
- PS** - Empty with universal meter panel, connection insulation box and current clamp
- SS** - Wired with universal meter panel, connection insulation box and current clamps
- SL** - Wired, with universal meter panel, connection insulation box, current clamps and limiters of current (power)
- SB** - Wired, with universal meter panel, connection insulation box, current clamps, limiters of current (power) and metering device

FREESTANDING BOXES WITH UNDERGROUND BASE AND KPK
MRO6-SSUK 920x2480x235


| Code no. | Type |
|----------|---------------------------|
| 5706411 | MRO6-SSUK 920x2480x235 P |
| 5706421 | MRO6-SSUK 920x2480x235 PT |
| 5706431 | MRO6-SSUK 920x2480x235 PE |
| 5706441 | MRO6-SSUK 920x2480x235 PS |
| 5706451 | MRO6-SSUK 920x2480x235 SS |
| 5706461 | MRO6-SSUK 920x2480x235 SL |
| 5706471 | MRO6-SSUK 920x2480x235 SB |

Legenda:

- SSUK** - Freestanding underground with cable connection box
- P** - Empty (without equipment)
- PT** - Empty with universal meter panel and connection insulation box
- PE** - Empty with flat extruded meter panel
- PS** - Empty with universal meter panel, connection insulation box and current clamp
- SS** - Wired, with universal meter panel, connection insulation box and current clamps
- SL** - Wired, with universal meter panel, connection insulation box, current clamps and limiters of current (power)
- SB** - Wired, with universal meter panel, connection insulation box, current clamps, limiters of current (power) and metering device



Multipurpose universal cabinet is made in several variants, for mounting on the pillar, on the wall, on the machines and in the wall. They can be used as measuring, measuring and controlling for street lighting, distribution boxes, control boxes for automation in drives, etc.

The cabinet is made of pressed non-combustible polyester reinforced glass fiber. Impact resistant, bending and has a high dielectric strength. It is resistant to atmospheric influences, as well as to UV radiation. It provides very good mechanical and electrical protection. The use is easy and without additional maintenance, it is resistant to high temperatures. It belongs to high isolation cabinets. By adding a breathing rubber on doors, windows and other openings, a high degree of seal strength IP 65 is achieved. Due to its technical characteristics, it can be used in damp rooms and in areas where the presence of acids is present.



for automatics

Measuring
distribution cabinet

POLE MOUNTED
MRO1-S 260x620x210

CABINETS FOR POLE MOUNTING WITH BACK CARRIERS

| Code no. | Type |
|----------|-----------------------|
| 5700010 | MRO1-S 260x620x210 P |
| 5700020 | MRO1-S 260x620x210 PT |
| 5700030 | MRO1-S 260x620x210 PE |
| 5700040 | MRO1-S 260x620x210 PS |
| 5700050 | MRO1-S 260x620x210 SS |
| 5700060 | MRO1-S 260x620x210 SL |
| 5700070 | MRO1-S 260x620x210 SB |

Legenda:

- S** - For pole
- P** - Empty (without equipment)
- PT** - Empty with universal meter panel and connection insulation box
- PE** - Empty with flat extruded meter panel
- PS** - Empty with universal meter panel, connection insulation box and current clamp
- SS** - Wired, with universal meter panel, connection insulation box and current clamps
- SL** - Wired, with universal meter panel, connection insulation box, current clamps and limiters of current (power)
- SB** - Wired, with universal meter panel, connection insulation box, current clamps, limiters of current (power) and metering device

WALL MOUNTED
MRO1-Z 260x620x210

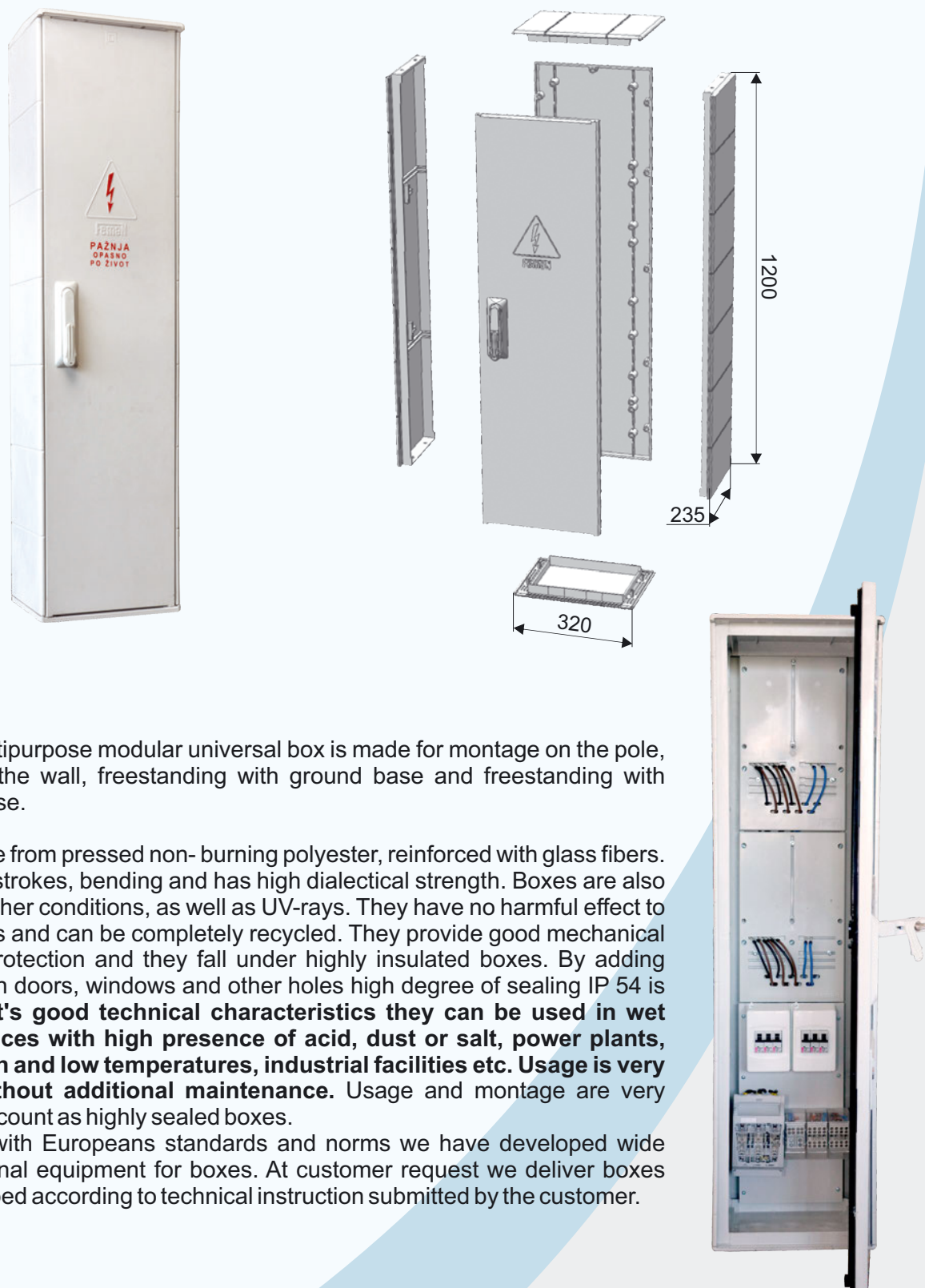
CABINETS FOR WALL MOUNTING

| Code no. | Type |
|----------|-----------------------|
| 5700110 | MRO1-Z 260x620x210 P |
| 5700120 | MRO1-Z 260x620x210 PT |
| 5700130 | MRO1-Z 260x620x210 PE |
| 5700140 | MRO1-Z 260x620x210 PS |
| 5700150 | MRO1-Z 260x620x210 SS |
| 5700160 | MRO1-Z 260x620x210 SL |
| 5700170 | MRO1-Z 260x620x210 SB |

Legenda:

- Z** - For wall
- P** - Empty (without equipment)
- PT** - Empty with universal meter panel and connection insulation box
- PE** - Empty with flat extruded meter panel
- PS** - Empty with universal meter panel, connection insulation box and current clamp
- SS** - Wired, with universal meter panel, connection insulation box and current clamps
- SL** - Wired, with universal meter panel, connection insulation box, current clamps and limiters of current (power)
- SB** - Wired, with universal meter panel, connection insulation box, current clamps, limiters of current (power) and metering device

These boxes are mainly used for up to two measuring devices, distributed vertically. In order to install more measuring devices, they can be installed beside the first one or one above each other.



This multipurpose modular universal box is made for montage on the pole, in the wall, on the wall, freestanding with ground base and freestanding with underground base.

It is made from pressed non-burning polyester, reinforced with glass fibers. It is resistant to strokes, bending and has high dielectric strength. Boxes are also resistant to weather conditions, as well as UV-rays. They have no harmful effect to the surroundings and can be completely recycled. They provide good mechanical and electrical protection and they fall under highly insulated boxes. By adding gasket rubber on doors, windows and other holes high degree of sealing IP 54 is achieved. **For its good technical characteristics they can be used in wet rooms, ambiances with high presence of acid, dust or salt, power plants, rooms with high and low temperatures, industrial facilities etc. Usage is very simple and without additional maintenance.** Usage and montage are very simplified. They count as highly sealed boxes.

In accordance with European standards and norms we have developed wide range of additional equipment for boxes. At customer request we deliver boxes complete equipped according to technical instruction submitted by the customer.

POLE MOUNTED
MRO2V-S 320x1200x235


| Code no. | Type |
|----------|-------------------------|
| 5703510 | MRO2V-S 320x1200x235 P |
| 5703520 | MRO2V-S 320x1200x235 PT |
| 5703530 | MRO2V-S 320x1200x235 PE |
| 5703540 | MRO2V-S 320x1200x235 PS |
| 5703550 | MRO2V-S 320x1200x235 SS |
| 5703560 | MRO2V-S 320x1200x235 SL |
| 5703570 | MRO2V-S 320x1200x235 SB |

Legenda:

- S** - For pole
- P** - Empty (without equipment)
- PT** - Empty with universal meter panel and connection insulation box
- PE** - Empty with flat extruded meter panel
- PS** - Empty with universal meter panel, connection insulation box and current clamp
- SS** - Wired, with universal meter panel, connection insulation box and current clamps
- SL** - Wired, with universal meter panel, connection insulation box, current clamps and limiters of current (power)
- SB** - Wired, with univ. meter panel, con. insulation box, current clamps, limiters of current (power) and metering device

WALL MOUNTED
MRO2V-Z 320x1200x235


| Code no. | Type |
|----------|-------------------------|
| 5703610 | MRO2V-Z 320x1200x235 P |
| 5703620 | MRO2V-Z 320x1200x235 PT |
| 5703630 | MRO2V-Z 320x1200x235 PE |
| 5703640 | MRO2V-Z 320x1200x235 PS |
| 5703650 | MRO2V-Z 320x1200x235 SS |
| 5703660 | MRO2V-Z 320x1200x235 SL |
| 5703670 | MRO2V-Z 320x1200x235 SB |

Legenda:

- Z** - For wall
- P** - Empty (without equipment)
- PT** - Empty with universal meter panel and connection insulation box
- PE** - Empty with flat extruded meter panel
- PS** - Empty with universal meter panel, connection insulation box and current clamp
- SS** - Wired, with universal meter panel, connection insulation box and current clamps
- SL** - Wired, with universal meter panel, connection insulation box, current clamps and limiters of current (power)
- SB** - Wired, with univ. meter panel, con. insulation box, current clamps, limiters of current (power) and metering device

MOUNTED IN WALL

MRO2V-U 320x1200x235



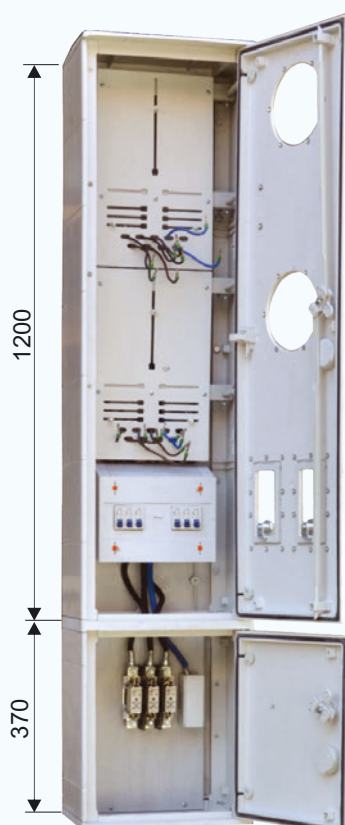
| Code no. | Type |
|----------|-------------------------|
| 5703710 | MRO2V-U 320x1200x235 P |
| 5703720 | MRO2V-U 320x1200x235 PT |
| 5703730 | MRO2V-U 320x1200x235 PE |
| 5703740 | MRO2V-U 320x1200x235 PS |
| 5703750 | MRO2V-U 320x1200x235 SS |
| 5703760 | MROV-Z 320x1200x235 SL |
| 5703770 | MRO2V-Z 320x1200x235 SB |

Legenda:

- U** - In-wall
- P** - Empty (without equipment)
- PT** - Empty with universal meter panel and connection insulation box
- PE** - Empty with flat extruded meter panel
- PS** - Empty with universal meter panel, connection insulation box and current clamp
- SS** - Wired, with universal meter panel, connection insulation box and current clamps
- SL** - Wired, with universal meter panel, connection insulation box, current clamps and limiters of current (power)
- SB** - Wired, with univ. meter panel, con. insulation box, current clamps, limiters of current (power) and metering device

FREESTANDING BOXES WITH GROUND BASE

MRO2V-SSN 320x1570x235



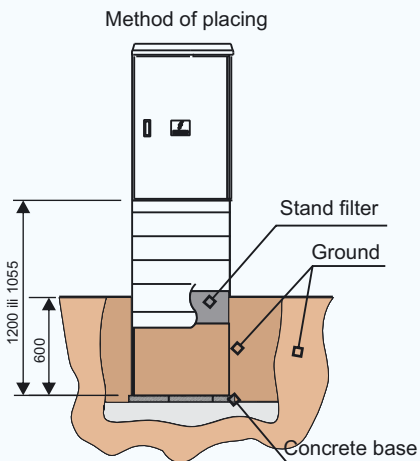
| Code no. | Type |
|----------|---------------------------|
| 5703810 | MRO2V-SSN 320x1570x235 P |
| 5703820 | MRO2V-SSN 320x1570x235 PT |
| 5703830 | MRO2V-SSN 320x1570x235 PE |
| 5703840 | MRO2V-SSN 320x1570x235 PS |
| 5703850 | MRO2V-SSN 320x1570x235 SS |
| 5703860 | MRO2V-SSN 320x1570x235 SL |
| 5703870 | MRO2V-SSN 320x1570x235 SB |

Legenda:

- SSN** - Freestanding on ground
- P** - Empty (without equipment)
- PT** - Empty with universal meter panel and connection insulation box
- PE** - Empty with flat extruded meter panel
- PS** - Empty with universal meter panel, connection insulation box and current clamp
- SS** - Wired, with universal meter panel, connection insulation box and current clamps
- SL** - Wired, with universal meter panel, connection insulation box, current clamps and limiters of current (power)
- SB** - Wired, with universal meter panel, connection insulation box, current clamps, limiters of current (power) and metering device

FREESTANDING BOXES WITH UNDERGROUND BASE

MRO2V-SSU 320x2255x235



| Code no. | Type |
|----------|---------------------------|
| 5703910 | MRO2V-SSU 320x2255x235 P |
| 5703920 | MRO2V-SSU 320x2255x235 PT |
| 5703930 | MRO2V-SSU 320x2255x235 PE |
| 5703940 | MRO2V-SSU 320x2255x235 PS |
| 5703950 | MRO2V-SSU 320x2255x235 SS |
| 5703960 | MRO2V-SSU 320x2255x235 SL |
| 5703970 | MRO2V-SSU 320x2255x235 SB |

Legenda:

- SSU** - Freestanding underground
- P** - Empty (without equipment)
- PT** - Empty with universal meter panel and connection insulation box
- PE** - Empty with flat extruded meter panel
- PS** - Empty with universal meter panel, connection insulation box and current clamp
- SS** - Wired, with universal meter panel, connection insulation box and current clamps
- SL** - Wired, with universal meter panel, connection insulation box, current clamps and limiters of current (power)
- SB** - Wired, with universal meter panel, connection insulation box, current clamps, limiters of current (power) and metering device

FREESTANDING BOXES WITH UNDERGROUND BASE AND KPK MRO2V-SSUK 320x2625x235



| Code no. | Type |
|----------|----------------------------|
| 5703911 | MRO2V-SSUK 320x2625x235 P |
| 5703921 | MRO2V-SSUK 320x2625x235 PT |
| 5703931 | MRO2V-SSUK 320x2625x235 PE |
| 5703941 | MRO2V-SSUK 320x2625x235 PS |
| 5703951 | MRO2V-SSUK 320x2625x235 SS |
| 5703961 | MRO2V-SSUK 320x2625x235 SL |
| 5703971 | MRO2V-SSUK 320x2625x235 SB |

Legenda:

- SSUK** - Freestanding underground with cable connection box
- P** - Empty (without equipment)
- PT** - Empty with universal meter panel and connection insulation box
- PE** - Empty with flat extruded meter panel
- PS** - Empty with universal meter panel, connection insulation box and current clamp
- SS** - Wired, with universal meter panel, connection insulation box and current clamps
- SL** - Wired, with universal meter panel, connection insulation box, current clamps and limiters of current (power)
- SB** - Wired, with universal meter panel, connection insulation box, current clamps, limiters of current (power) and metering device

These boxes are mainly used for four measuring devices, distributed vertically. In order to install more measuring devices, they can be installed beside the first one or one above each other.



This multipurpose modular universal box is made for montage on the pole, in the wall, on the wall, freestanding with ground base and freestanding with underground base.

It is made from pressed non-burning polyester, reinforced with glass fibers. It is resistant to strokes, bending and has high dielectric strength. Boxes are also resistant to weather conditions, as well as UV-rays. They have no harmful effect to the surroundings and can be completely recycled. They provide good mechanical and electrical protection and they fall under highly insulated boxes. By adding gasket rubber on doors, windows and other holes high degree of sealing IP 54 is achieved. **For its good technical characteristics they can be used in wet rooms, ambiances with high presence of acid, dust or salt, power plants, rooms with high and low temperatures, industrial facilities etc. Usage is very simple and without additional maintenance.** Usage and montage are very simplified. They count as highly sealed boxes.

In accordance with European standards and norms we have developed wide range of additional equipment for boxes. At customer request we deliver boxes complete equipped according to technical instruction submitted by the customer.



POLE MOUNTED
MRO4-S 600x1200x235


| Code no. | Type |
|----------|------------------------|
| 5704510 | MRO4-S 600x1200x235 P |
| 5704520 | MRO4-S 600x1200x235 PT |
| 5704530 | MRO4-S 600x1200x235 PE |
| 5704540 | MRO4-S 600x1200x235 PS |
| 5704550 | MRO4-S 600x1200x235 SS |
| 5704560 | MRO4-S 600x1200x235 SL |
| 5704570 | MRO4-S 600x1200x235 SB |

Legenda:

- S** - For pole
- P** - Empty (without equipment)
- PT** - Empty with universal meter panel and connection insulation box
- PE** - Empty with flat extruded meter panel
- PS** - Empty with universal meter panel, connection insulation box and current clamp
- SS** - Wired, with universal meter panel, connection insulation box and current clamps
- SL** - Wired, with universal meter panel, connection insulation box, current clamps and limiters of current (power)
- SB** - Wired, with univ. meter panel, con. insulation box, current clamps, limiters of current (power) and metering device

WALL MOUNTED
MRO4-Z 600x1200x235


| Code no. | Type |
|----------|------------------------|
| 5704610 | MRO4-Z 600x1200x235 P |
| 5704620 | MRO4-Z 600x1200x235 PT |
| 5704630 | MRO4-Z 600x1200x235 PE |
| 5704640 | MRO4-Z 600x1200x235 PS |
| 5704650 | MRO4-Z 600x1200x235 SS |
| 5704660 | MRO4-Z 600x1200x235 SL |
| 5704670 | MRO4-Z 600x1200x235 SB |

Legenda:

- Z** - For wall
- P** - Empty (without equipment)
- PT** - Empty with universal meter panel and connection insulation box
- PE** - Empty with flat extruded meter panel
- PS** - Empty with universal meter panel, connection insulation box and current clamp
- SS** - Wired, with universal meter panel, connection insulation box and current clamps
- SL** - Wired, with universal meter panel, connection insulation box, current clamps and limiters of current (power)
- SB** - Wired, with univ. meter panel, con. insulation box, current clamps, limiters of current (power) and metering device

MOUNTED IN WALL

MRO4-U 600x1200x235



| Code no. | Type |
|----------|------------------------|
| 5704710 | MRO4-U 600x1200x235 P |
| 5704720 | MRO4-U 600x1200x235 PT |
| 5704730 | MRO4-U 600x1200x235 PE |
| 5704740 | MRO4-U 600x1200x235 PS |
| 5704750 | MRO4-U 600x1200x235 SS |
| 5704760 | MRO4-U 600x1200x235 SL |
| 5704770 | MRO4-U 600x1200x235 SB |

Legenda:

- U** - In-wall
- P** - Empty (without equipment)
- PT** - Empty with universal meter panel and connection insulation box
- PE** - Empty with flat extruded meter panel
- PS** - Empty with universal meter panel, connection insulation box and current clamp
- SS** - Wired, with universal meter panel, connection insulation box and current clamps
- SL** - Wired, with universal meter panel, connection insulation box, current clamps and limiters of current (power)
- SB** - Wired, with univ. meter panel, con. insulation box, current clamps, limiters of current (power) and metering device

FREESTANDING BOXES WITH GROUND BASE

MRO4-SSN 600x1570x235



| Code no. | Type |
|----------|--------------------------|
| 5704810 | MRO4-SSN 600x1570x235 P |
| 5704820 | MRO4-SSN 600x1570x235 PT |
| 5704830 | MRO4-SSN 600x1570x235 PE |
| 5704840 | MRO4-SSN 600x1570x235 PS |
| 5704850 | MRO4-SSN 600x1570x235 SS |
| 5704860 | MRO4-SSN 600x1570x235 SL |
| 5704870 | MRO4-SSN 600x1570x235 SB |

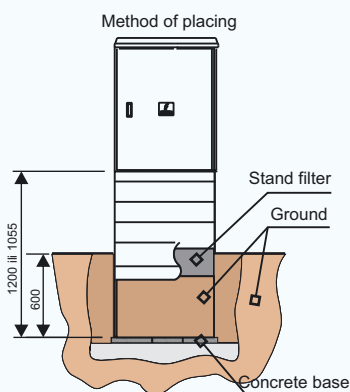
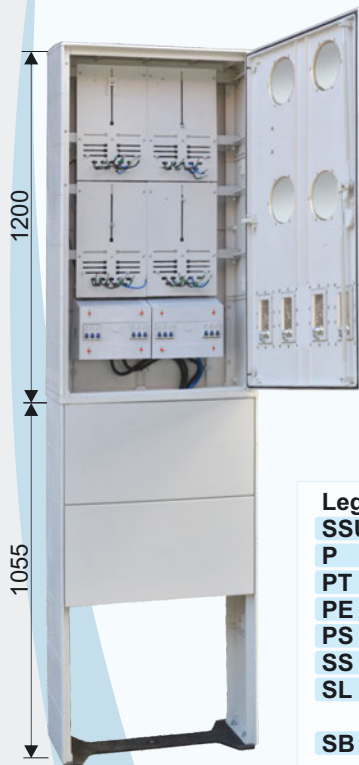
Freestanding on ground cabinets can be mounted on the grounding polyester base.

Legenda:

- SSN** - Freestanding on ground
- P** - Empty (without equipment)
- PT** - Empty with universal meter panel and connection insulation box
- PE** - Empty with flat extruded meter panel
- PS** - Empty with universal meter panel, connection insulation box and current clamp
- SS** - Wired, with universal meter panel, connection insulation box and current clamps
- SL** - Wired, with universal meter panel, connection insulation box, current clamps and limiters of current (power)
- SB** - Wired, with univ. meter panel, con. insulation box, current clamps, limiters of current (power) and metering device

FREESTANDING BOXES WITH UNDERGROUND BASE

MRO4-SSU 600x2255x235



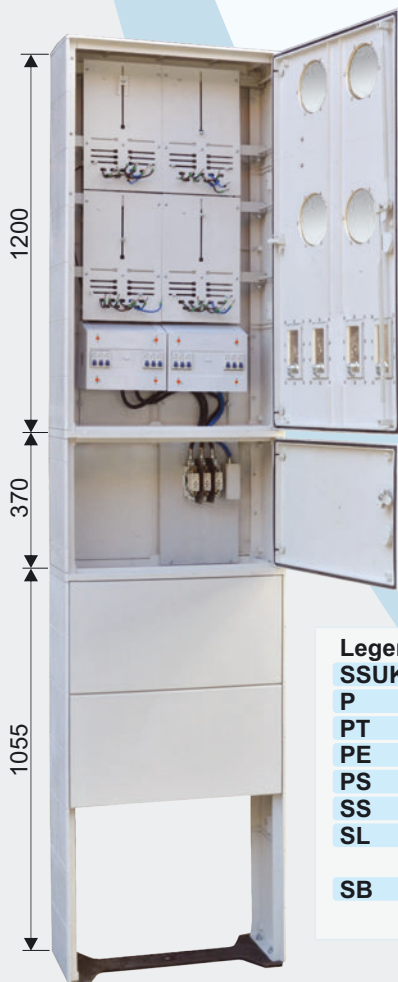
| Code no. | Type |
|----------|--------------------------|
| 5704910 | MRO4-SSU 600x2255x235 P |
| 5704920 | MRO4-SSU 600x2255x235 PT |
| 5704930 | MRO4-SSU 600x2255x235 PE |
| 5704940 | MRO4-SSU 600x2255x235 PS |
| 5704950 | MRO4-SSU 600x2255x235 SS |
| 5704960 | MRO4-SSU 600x2255x235 SL |
| 5704970 | MRO4-SSU 600x2255x235 SB |

Legenda:

- SSU** - Freestanding underground
- P** - Empty (without equipment)
- PT** - Empty with universal meter panel and connection insulation box
- PE** - Empty with flat extruded meter panel
- PS** - Empty with universal meter panel, connection insulation box and current clamp
- SS** - Wired, with universal meter panel, connection insulation box and current clamps
- SL** - Wired, with universal meter panel, connection insulation box, current clamps and limiters of current (power)
- SB** - Wired, with universal meter panel, connection insulation box, current clamps, limiters of current (power) and metering device

FREESTANDING BOXES WITH UNDERGROUND BASE AND KPK

MRO4-SSUK 600x2625x235



| Code no. | Type |
|----------|---------------------------|
| 5704911 | MRO4-SSUK 600x2625x235 P |
| 5704921 | MRO4-SSUK 600x2625x235 PT |
| 5704931 | MRO4-SSUK 600x2625x235 PE |
| 5704941 | MRO4-SSUK 600x2625x235 PS |
| 5704951 | MRO4-SSUK 600x2625x235 SS |
| 5704961 | MRO4-SSUK 600x2625x235 SL |
| 5704971 | MRO4-SSUK 600x2625x235 SB |

Legenda:

- SSUK** - Freestanding underground with cable connection box
- P** - Empty (without equipment)
- PT** - Empty with universal meter panel and connection insulation box
- PE** - Empty with flat extruded meter panel
- PS** - Empty with universal meter panel, connection insulation box and current clamp
- SS** - Wired, with universal meter panel, connection insulation box and current clamps
- SL** - Wired, with universal meter panel, connection insulation box, current clamps and limiters of current (power)
- SB** - Wired, with universal meter panel, connection insulation box, current clamps, limiters of current (power) and metering device

These boxes are mainly used for six measuring devices, distributed vertically. In order to install more measuring devices, they can be installed beside the first one or one above each other.



This multipurpose modular universal box is made for montage on the pole, in the wall, on the wall, freestanding with ground base and freestanding with underground base.

It is made from pressed non-burning polyester, reinforced with glass fibers. It is resistant to strokes, bending and has high dielectric strength. Boxes are also resistant to weather conditions, as well as UV-rays. They have no harmful effect to the surroundings and can be completely recycled. They provide good mechanical and electrical protection and they fall under highly insulated boxes. By adding gasket rubber on doors, windows and other holes high degree of sealing IP 54 is achieved. **For its good technical characteristics they can be used in wet rooms, ambiances with high presence of acid, dust or salt, power plants, rooms with high and low temperatures, industrial facilities etc. Usage is very simple and without additional maintenance.** Usage and montage are very simplified. They count as highly sealed boxes.

In accordance with European standards and norms we have developed wide range of additional equipment for boxes. At customer request we deliver boxes complete equipped according to technical instruction submitted by the customer.



POLE MOUNTED
MRO6-S 920x1200x235


| Code no. | Type |
|----------|------------------------|
| 5706510 | MRO6-S 920x1200x235 P |
| 5706520 | MRO6-S 920x1200x235 PT |
| 5706530 | MRO6-S 920x1200x235 PE |
| 5706540 | MRO6-S 920x1200x235 PS |
| 5706550 | MRO6-S 920x1200x235 SS |
| 5706560 | MRO6-S 920x1200x235 SL |
| 5706570 | MRO6-S 920x1200x235 SB |

Legenda:

- S** - For pole
- P** - Empty (without equipment)
- PT** - Empty with universal meter panel and connection insulation box
- PE** - Empty with flat extruded meter panel
- PS** - Empty with universal meter panel, connection insulation box and current clamp
- SS** - Wired, with universal meter panel, connection insulation box and current clamps
- SL** - Wired, with universal meter panel, connection insulation box, current clamps and limiters of current (power)
- SB** - Wired, with univ. meter panel, con. insulation box, current clamps, limiters of current (power) and metering device

WALL MOUNTED
MRO6-Z 920x1200x235


| Code no. | Type |
|----------|------------------------|
| 5706610 | MRO6-Z 920x1200x235 P |
| 5706620 | MRO6-Z 920x1200x235 PT |
| 5706630 | MRO6-Z 600x1200x235 PE |
| 5706640 | MRO6-Z 920x1200x235 PS |
| 5706650 | MRO6-Z 920x1200x235 SS |
| 5706660 | MRO6-Z 920x1200x235 SL |
| 5706670 | MRO6-Z 920x1200x235 SB |

Legenda:

- Z** - For wall
- P** - Empty (without equipment)
- PT** - Empty with universal meter panel and connection insulation box
- PE** - Empty with flat extruded meter panel
- PS** - Empty with universal meter panel, connection insulation box and current clamp
- SS** - Wired, with universal meter panel, connection insulation box and current clamps
- SL** - Wired, with universal meter panel, connection insulation box, current clamps and limiters of current (power)
- SB** - Wired, with univ. meter panel, con. insulation box, current clamps, limiters of current (power) and metering device

MOUNTED IN WALL

MRO6-U 920x1200x235



| Code no. | Type |
|----------|------------------------|
| 5706710 | MRO6-U 920x1200x235 P |
| 5706720 | MRO6-U 920x1200x235 PT |
| 5706730 | MRO6-U 920x1200x235 PE |
| 5706740 | MRO6-U 920x1200x235 PS |
| 5706750 | MRO6-U 920x1200x235 SS |
| 5706760 | MRO6-U 920x1200x235 SL |
| 5706770 | MRO6-U 920x1200x235 SB |

Legenda:

- U** - In-wall
- P** - Empty (without equipment)
- PT** - Empty with universal meter panel and connection insulation box
- PE** - Empty with flat extruded meter panel
- PS** - Empty with universal meter panel, connection insulation box and current clamp
- SS** - Wired, with universal meter panel, connection insulation box and current clamps
- SL** - Wired, with universal meter panel, connection insulation box, current clamps and limiters of current (power)
- SB** - Wired, with univ. meter panel, con. insulation box, current clamps, limiters of current (power) and metering device

FREESTANDING BOXES WITH GROUND BASE

MRO6-SSN 920x1570x235



Freestanding on ground cabinets can be mounted on the grounding polyester base.

| Code no. | Type |
|----------|--------------------------|
| 5706810 | MRO6-SSN 920x1570x235 P |
| 5706820 | MRO6-SSN 920x1570x235 PT |
| 5706830 | MRO6-SSN 920x1570x235 PE |
| 5706840 | MRO6-SSN 920x1570x235 PS |
| 5706850 | MRO6-SSN 920x1570x235 SS |
| 5706860 | MRO6-SSN 920x1570x235 SL |
| 5706870 | MRO6-SSN 920x1570x235 SB |

Legenda:

- SSN** - Freestanding on ground
- P** - Empty (without equipment)
- PT** - Empty with universal meter panel and connection insulation box
- PE** - Empty with flat extruded meter panel
- PS** - Empty with universal meter panel, connection insulation box and current clamp
- SS** - Wired, with universal meter panel, connection insulation box and current clamps
- SL** - Wired, with universal meter panel, connection insulation box, current clamps and limiters of current (power)
- SB** - Wired, with univ. meter panel, con. insulation box, current clamps, limiters of current (power) and metering device

FREESTANDING BOXES WITH UNDERGROUND BASE
MRO6-SSU 920x2255x235


| Code no. | Type |
|----------|--------------------------|
| 5706910 | MRO6-SSU 920x2255x235 P |
| 5706920 | MRO6-SSU 920x2255x235 PT |
| 5706930 | MRO6-SSU 920x2255x235 PE |
| 5706940 | MRO6-SSU 920x2255x235 PS |
| 5706950 | MRO6-SSU 920x2255x235 SS |
| 5706960 | MRO6-SSU 920x2255x235 SL |
| 5706970 | MRO6-SSU 920x2255x235 SB |

Legenda:

- SSU** - Freestanding underground
- P** - Empty (without equipment)
- PT** - Empty with universal meter panel and connection insulation box
- PE** - Empty with flat extruded meter panel
- PS** - Empty with universal meter panel, connection insulation box and current clamp
- SS** - Wired, with universal meter panel, connection insulation box and current clamps
- SL** - Wired, with universal meter panel, connection insulation box, current clamps and limiters of current (power)
- SB** - Wired, with universal meter panel, connection insulation box, current clamps, limiters of current (power) and metering device

FREESTANDING BOXES WITH UNDERGROUND BASE AND KPK
MRO6-SSUK 920x2625x235


| Code no. | Type |
|----------|---------------------------|
| 5706911 | MRO6-SSUK 920x2625x235 P |
| 5706921 | MRO6-SSUK 920x2625x235 PT |
| 5706931 | MRO6-SSUK 920x2625x235 PE |
| 5706941 | MRO6-SSUK 920x2625x235 PS |
| 5706951 | MRO6-SSUK 920x2625x235 SS |
| 5706961 | MRO6-SSUK 920x2625x235 SL |
| 5706971 | MRO6-SSUK 920x2625x235 SB |

Legenda:

- SSUK** - Freestanding underground with cable connection box
- P** - Empty (without equipment)
- PT** - Empty with universal meter panel and connection insulation box
- PE** - Empty with flat extruded meter panel
- PS** - Empty with universal meter panel, connection insulation box and current clamp
- SS** - Wired, with universal meter panel, connection insulation box and current clamps
- SL** - Wired, with universal meter panel, connection insulation box, current clamps and limiters of current (power)
- SB** - Wired, with universal meter panel, connection insulation box, current clamps, limiters of current (power) and metering device

These boxes are mainly used for one measuring device. In order to install more measuring devices, they can be installed beside the first one or one above each other.



| Code no. | Installation method | Type | Dimensions mm | degree of protection |
|----------|---------------------------|----------|---------------|----------------------|
| 5701061 | Pole | MRO1-S | 260x665x250 | IP 54 |
| 5701161 | Wall | MRO1-Z | 260x665x250 | IP 54 |
| 5701261 | In wall | MRO1-U | 260x665x250 | IP 54 |
| 5701361 | freestanding above ground | MRO1-SSN | 260x1330x250 | IP 54 |

Multipurpose modular universal cabinet is made in several variants, for mounting on the pillar, on the wall, in the wall, as free-standing overhead and as free-standing ground.

Technical description:

The cabinets are made of pressed polyester reinforced with glass fibers. They are resistant to bumps, bending and have high dielectric strength. They are resistant to atmospheric influences as well as UV radiation.

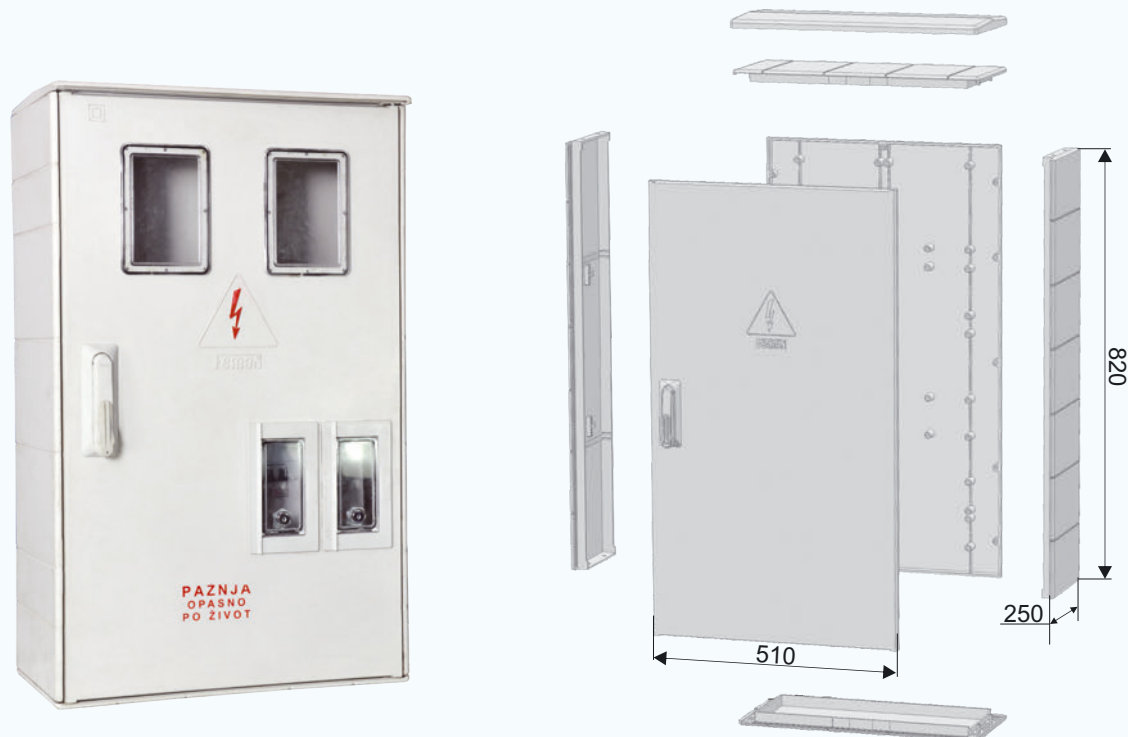
Technical data:

| | |
|--------------------------------------|-----------------|
| Nominal insulation voltage | 500 V |
| Nominal current | 630 A |
| Degree of mechanical protection | IP 54 |
| Shock resistance | IK 10 |
| Protection class | II |
| Color | RAL 7035 |
| Resistance to atmospheric influences | UV stable |
| Exploitation temperature | -50°C do +60°C |
| Thermal stability | -40°C do +200°C |



MODULAR MEASURING AND DISTRIBUTION POLYESTER CABINET MRO2 510x820x250

These boxes are mainly used for two measuring devices, distributed vertically. In order to install more measuring devices, they can be installed beside the first one or one above each other.



| Code no. | Installation method | Type | Dimensions mm | degree of protection |
|----------|---------------------------|----------|---------------|----------------------|
| 5702063 | Pole | MRO2-S | 510x820x250 | IP 54 |
| 5702163 | Wall | MRO2-Z | 510x820x250 | IP 54 |
| 5702263 | In wall | MRO2-U | 510x820x250 | IP 54 |
| 5702363 | freestanding above ground | MRO2-SSN | 510x1640x250 | IP 54 |

Multipurpose modular universal cabinet is made in several variants, for mounting on the pillar, on the wall, in the wall, as free-standing overhead and as free-standing ground.

Technical description:

The cabinets are made of pressed polyester reinforced with glass fibers. They are resistant to bumps, bending and have high dielectric strength. They are resistant to atmospheric influences as well as UV radiation.

Technical data:

| | |
|--------------------------------------|-----------------|
| Nominal insulation voltage | 500 V |
| Nominal current | 630 A |
| Degree of mechanical protection | IP 54 |
| Shock resistance | IK 10 |
| Protection class | II |
| Color | RAL 7035 |
| Resistance to atmospheric influences | UV stable |
| Exploitation temperature | -50°C do +60°C |
| Thermal stability | -40°C do +200°C |



MODULAR MEASURING AND DISTRIBUTION POLYESTER CABINET MRO4 510x1640x250

These boxes are mainly used for four measuring devices, distributed vertically. In order to install more measuring devices, they can be installed beside the first one or one above each other.



| Code no. | Installation method | Type | Dimensions mm | degree of protection |
|----------|--------------------------|----------|---------------|----------------------|
| 5704065 | Slobodnostojeći nadzemni | MRO4-SSN | 510x1640x250 | IP 54 |

Multipurpose modular universal cabinet is made in several variants, also as free-standing overhead and as free-standing ground.

Technical description:

The cabinets are made of pressed polyester reinforced with glass fibers. They are resistant to bumps, bending and have high dielectric strength. They are resistant to atmospheric influences as well as UV radiation.

Technical data:

| | |
|--------------------------------------|-----------------|
| Nominal insulation voltage | 500 V |
| Nominal current | 630 A |
| Degree of mechanical protection | IP 54 |
| Shock resistance | IK 10 |
| Protection class | II |
| Color | RAL 7035 |
| Resistance to atmospheric influences | UV stable |
| Exploitation temperature | -50°C do +60°C |
| Thermal stability | -40°C do +200°C |

MODULAR DISTRIBUTION POLYESTER CABINETS



Multipurpose modular universal cabinets are made in several variants for mounting on the pillar, on the wall and in the wall. The cabinets are made of pressed polyester with reinforced glass fibers. They can be used as distribution boxes for automated drives. They are resistant to bumps, bending and have a high dielectric strength. They are resistant to atmospheric influences as well as UV radiation. Because of their technical characteristics, they can be used in wet areas and in areas where the presence of acids is present.

| Code no. | Installation method | Type - Dimension mm | Degree of protection |
|----------------|---------------------|---------------------|----------------------|
| 5707006 | Pole | RO-S 320x250x235 | IP 54 |
| 5707007 | Wall | RO-Z 320x250x235 | IP 54 |
| 5707008 | In wall | RO-U 320x250x235 | IP 54 |
| 5707000 | Pole | RO-S 320x370x235 | IP 54 |
| 5707001 | Wall | RO-Z 320x370x235 | IP 54 |
| 5707002 | In wall | RO-U 320x370x235 | IP 54 |

MODULAR DISTRIBUTION POLYESTER CABINETS



Multipurpose modular universal cabinets are made in several variants for mounting on the pillar, on the wall and in the wall. The cabinets are made of pressed polyester with reinforced glass fibers. They can be used as distribution boxes for automated drives. They are resistant to bumps, bending and have a high dielectric strength. They are resistant to atmospheric influences as well as UV radiation. Because of their technical characteristics, they can be used in wet areas and in areas where the presence of acids is present.

| Code no. | Installation method | Type - Dimension mm | Degree of protection |
|----------------|---------------------|---------------------|----------------------|
| 5707009 | Pole | RO-S 600x250x235 | IP 54 |
| 5707010 | Wall | RO-Z 600x250x235 | IP 54 |
| 5707011 | In wall | RO-U 600x250x235 | IP 54 |
| 5707003 | Pole | RO-S 600x370x235 | IP 54 |
| 5707004 | Wall | RO-Z 600x370x235 | IP 54 |
| 5707005 | In wall | RO-U 600x370x235 | IP 54 |

MODULAR POLYESTER CABINETS FOR MULTI-DWELLING BUILDINGS



Modular multipurpose cabinets are made from pressed non-combustible polyester reinforced glass fibers. They are resistant to bumps, bending and have a high dielectric strength. They are resistant to atmospheric influences, as well as UV radiation. They provide very good mechanical and electrical protection. They belong to high insulation cabinets. By adding a breathing rubber on doors, windows and other openings, a high degree of sealability is achieved - IP 54. Due to its technical characteristics, it can be used in wet rooms, environments where there is a high presence of acids and dust.

The use is easy and without additional maintenance, it is resistant to high and low temperatures. Very easy and simple installation and installation. In accordance with European standards and standards, we have developed a wide range of accompanying fittings for cabinets.

Depending on the customer's wishes, we make them in various variants, and we can deliver them in a compact whole or in parts. These modular cabinets are made in widths 320 and 600 mm and heights 250, 370, 665 and 1055 mm.

Note: They are designed for mounting boards for meters measuring 220x330 mm

Legenda:

- PT** - Empty with universal meter panel and connection insulation box
- SS** - Wired, with universal meter panel, connection insulation box and current clamps

| Code no. | Type |
|----------|---------------------------|
| 5751000 | MRO6-UZ 600x1970x235 PT |
| 5751005 | MRO6-UZ 600x1970x235 SS |
| 5751010 | MRO9-UZ 920x1970x235 PT |
| 5751020 | MRO9-UZ 920x1970x235 SS |
| 5751110 | MRO12-UZ 1200x1970x235 PT |
| 5751120 | MRO12-UZ 1200x1970x235 SS |
| 5751210 | MRO15-UZ 1520x1970x235 PT |
| 5751220 | MRO15-UZ 1520x1970x235 SS |
| 5751310 | MRO18-UZ 1800x1970x235 PT |
| 5751320 | MRO18-UZ 1800x1970x235 SS |
| 5751410 | MRO21-UZ 2120x1970x235 PT |
| 5751420 | MRO21-UZ 2120x1970x235 SS |
| 5751510 | MRO24-UZ 2400x1970x235 PT |
| 5751520 | MRO24-UZ 2400x1970x235 SS |
| 5751610 | MRO27-UZ 2720x1970x235 PT |
| 5751620 | MRO27-UZ 2720x1970x235 SS |
| 5751710 | MRO30-UZ 3000x1970x235 PT |
| 5751720 | MRO30-UZ 3000x1970x235 SS |

MODULAR POLYESTER CABINETS FOR MULTI-DWELLING BUILDINGS

Note: They are designed for mounting measuring boards with dimensions of 190 x 308 mm



Example of a distribution part



An example of a rail distributor



Modular multipurpose cabinets are made from pressed non-combustible polyester reinforced glass fibers. They are resistant to bumps, bending and have a high dielectric strength. They are resistant to atmospheric influences, as well as UV radiation. They provide very good mechanical and electrical protection. They belong to high insulation cabinets. By adding a breathing rubber on doors, windows and other openings, a high degree of sealability is achieved - IP 54. Due to its technical characteristics, it can be used in wet rooms, environments where there is a high presence of acids and dust.

The use is easy and without additional maintenance, it is resistant to high and low temperatures. Very easy and simple installation and installation.

In accordance with European standards and standards, we have developed a wide range of accompanying fittings for cabinets.

Depending on the customer's wishes, we make them in various variants, and we can deliver them in a compact whole or in parts. These modular cabinets are made in widths 320 and 600 mm and heights 250, 370, 665 and 1055 mm.

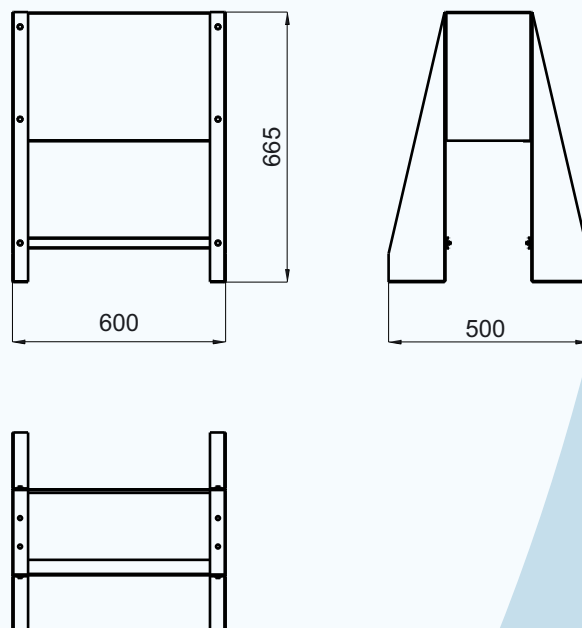
Legenda:

- PT** - Empty with universal meter panel and connection insulation box
- SS** - Wired, with universal meter panel, connection insulation box and current clamps

| Code no. | Type |
|----------|---------------------------|
| 5752000 | MRO6-UZ 600x1970x235 PT |
| 5752005 | MRO6-UZ 600x1970x235 SS |
| 5752010 | MRO9-UZ 920x1970x235 PT |
| 5752020 | MRO9-UZ 920x1970x235 SS |
| 5752110 | MRO12-UZ 1200x1970x235 PT |
| 5752120 | MRO12-UZ 1200x1970x235 SS |
| 5752210 | MRO15-UZ 1520x1970x235 PT |
| 5752220 | MRO15-UZ 1520x1970x235 SS |
| 5752310 | MRO18-UZ 1800x1970x235 PT |
| 5752320 | MRO18-UZ 1800x1970x235 SS |
| 5752410 | MRO21-UZ 2120x1970x235 PT |
| 5752420 | MRO21-UZ 2120x1970x235 SS |
| 5752510 | MRO24-UZ 2400x1970x235 PT |
| 5752520 | MRO24-UZ 2400x1970x235 SS |
| 5751610 | MRO27-UZ 2720x1970x235 PT |
| 5751620 | MRO27-UZ 2720x1970x235 SS |
| 5751710 | MRO30-UZ 3000x1970x235 PT |
| 5751720 | MRO30-UZ 3000x1970x235 SS |

FIELD CONSTRUCTION CABINETS WITH PLATFORMS

Construction type cabinets are made of polyester. Highly stable stand ensures safe and safe work on the construction site. A freestanding building cabinet is mobile and easily portable depending on needs.



The cabinet is UV stable, non-combustible, resistant to high and low temperatures and mechanical impacts. They are typically made to protect the IP 54, which does not allow the penetration of dust and moisture that is largely present on construction sites. The cabinets are made in two sizes, the dimensions of which are given in the table. Depending on the customer's desire, we deliver an empty cabinet with a poster or commercially shamed with accompanying equipment.

| Code no. | Name | Type | Dimensions (mm) | Degree of protection |
|----------|-------------------------------|---------|-----------------|----------------------|
| 5702600 | Građevinski orman | GO2-SSN | 600x1330x235 | IP 54 |
| 5702601 | Građevinski orman | GO4-SSN | 600x1720x235 | IP 54 |
| 5082605 | Postolje za građevinski orman | | 600x665x500 | |

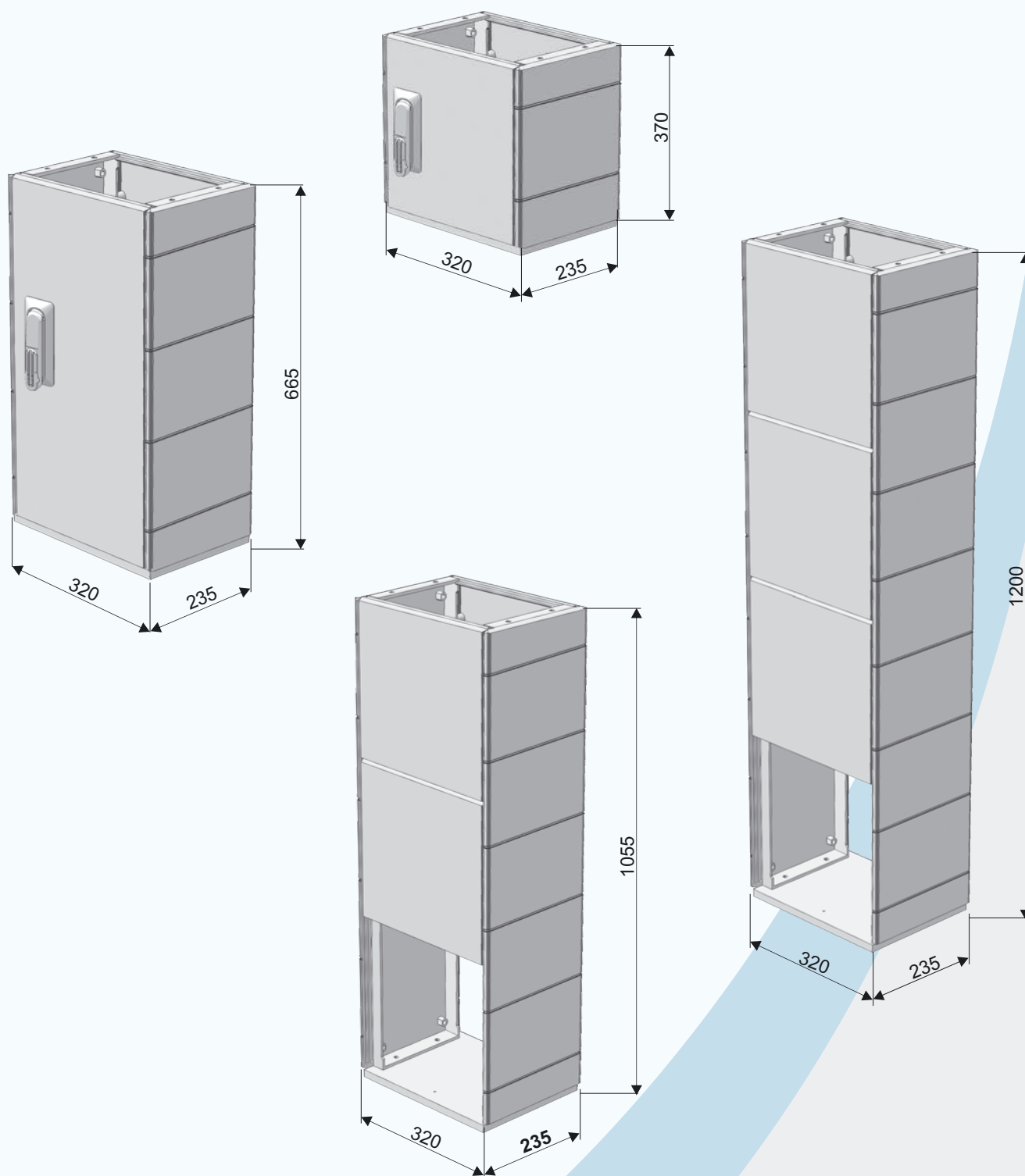
FIELD CONSTRUCTION CABINETS WITH PLATFORMS



On customer's request, we make a cabinet with a built-in meter or according to the technical instructions (requirements) supplied by the customer.

THE BASE OF POLYESTER CABINETS

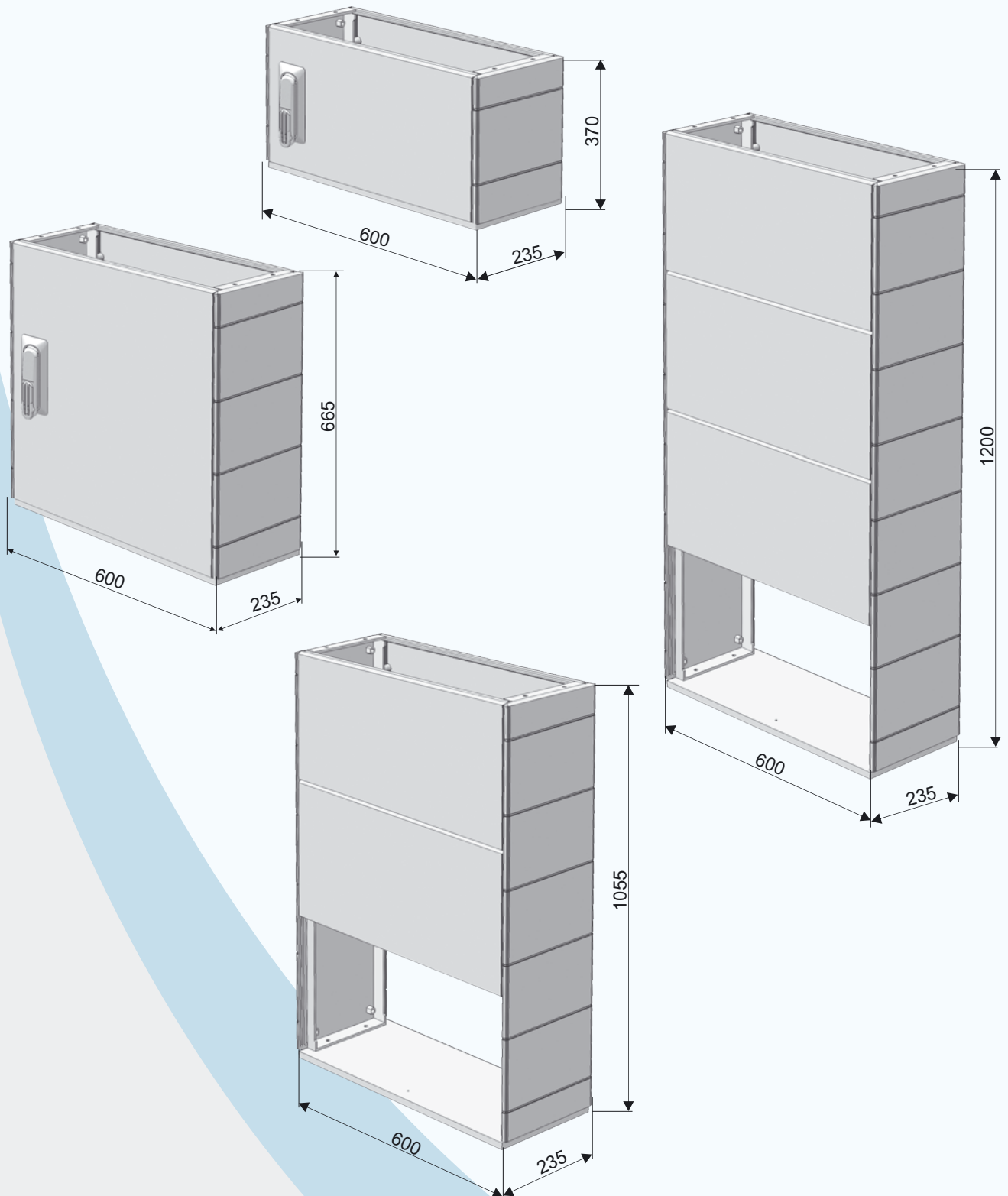
The cabinets are mounted on a polyester base above or below ground depending on the type of terrain. The stands are easy to install and provide easy access to work. The table shows the basic dimensions. Depending on the customer's desire, we make them in various variants, and we can deliver them compactly or in parts.



| Code no. | Installation method | Base type | Dimensions (mm) |
|----------|---------------------|-----------|-----------------|
| 5082810 | On ground | P-SSN | 320x370x235 |
| 5082812 | On ground | P-SSN | 320x665x235 |
| 5082815 | Undergroun | P-SSU | 320x1055x235 |
| 5082817 | Undergroun | P-SSU | 320x1200x235 |

THE BASE OF POLYESTER CABINETS

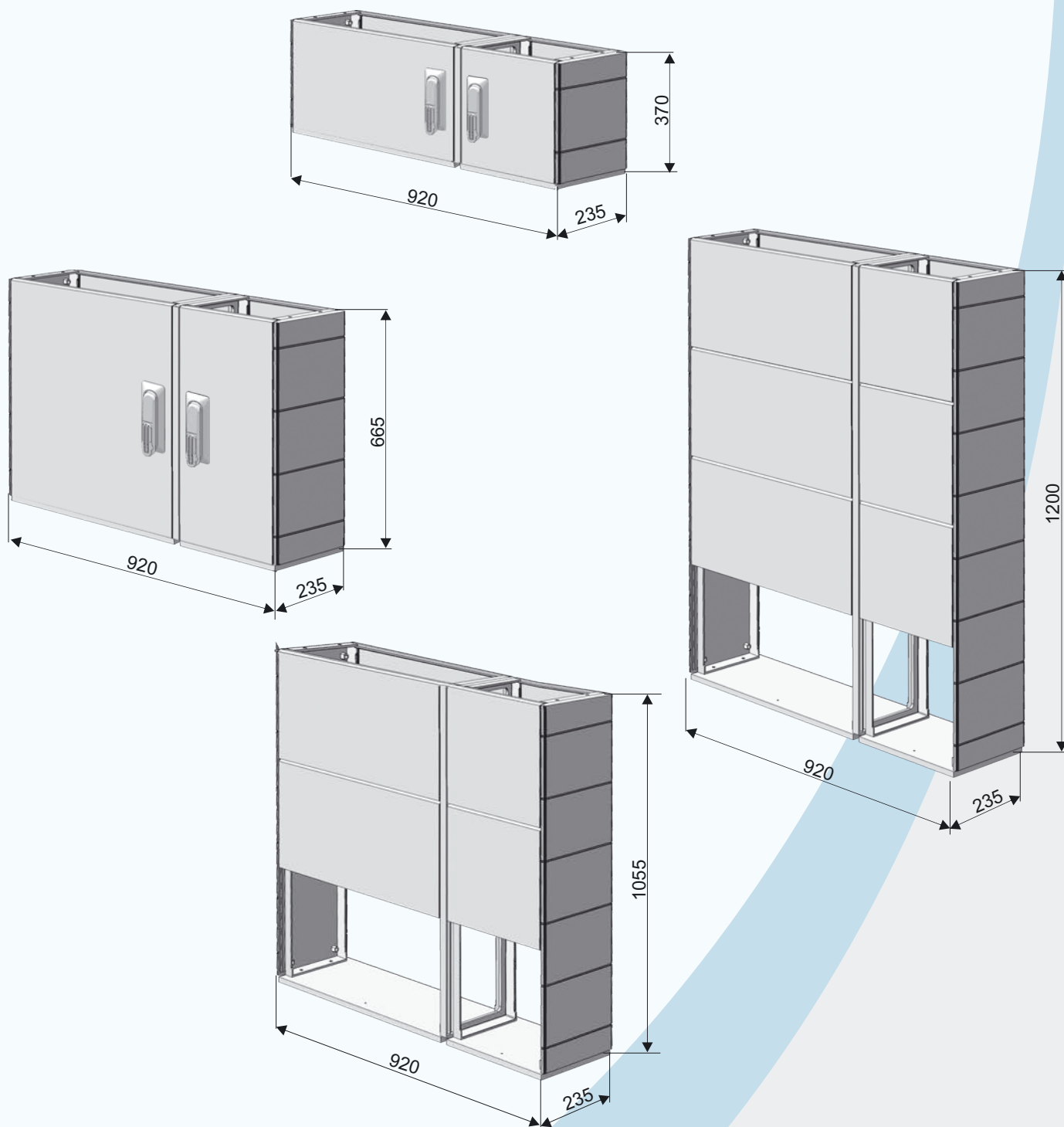
The cabinets are mounted on a polyester base above or below ground depending on the type of terrain. The stands are easy to install and provide easy access to work. The table shows the basic dimensions. Depending on the customer's desire, we make them in various variants, and we can deliver them compactly or in parts.



| Code no. | Installation method | Base type | Dimensions (mm) |
|----------|---------------------|-----------|-----------------|
| 5082820 | On ground | P-SSN | 600x370x235 |
| 5082822 | On ground | P-SSN | 600x665x235 |
| 5082825 | Underground | P-SSU | 600x1055x235 |
| 5082827 | Underground | P-SSU | 600x1200x235 |

THE BASE OF POLYESTER CABINETS

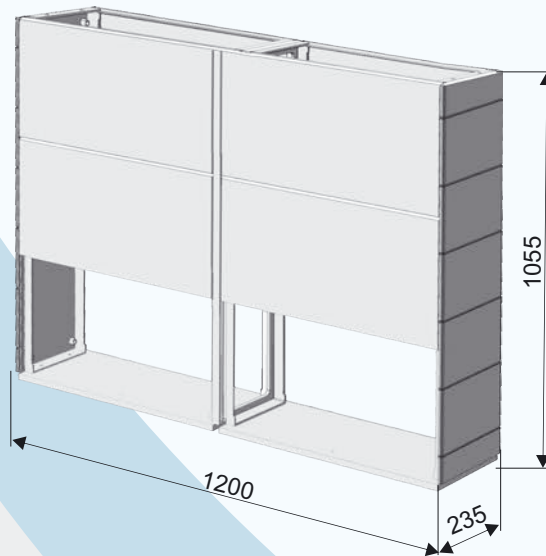
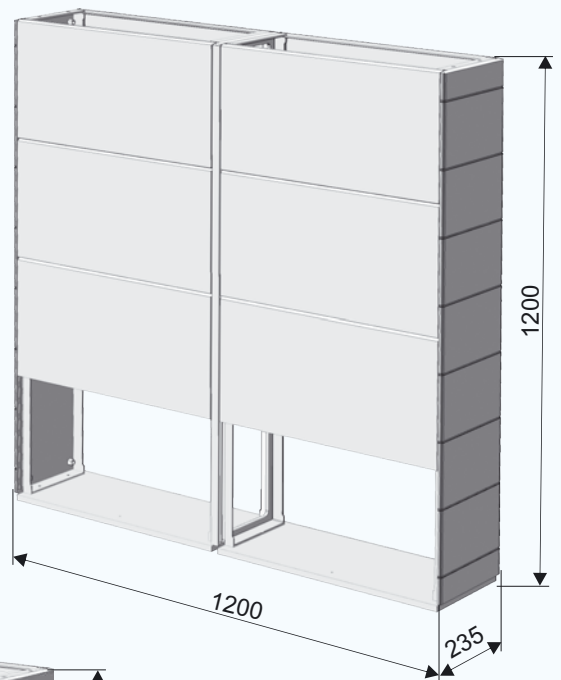
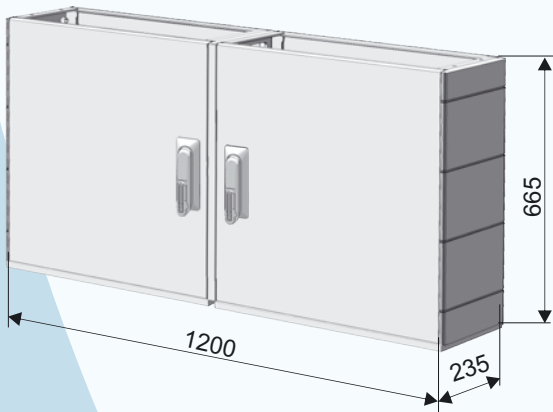
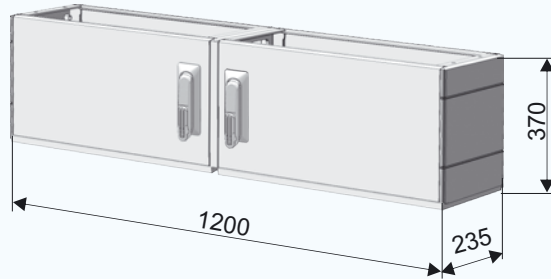
The cabinets are mounted on a polyester base above or below ground depending on the type of terrain. The stands are easy to install and provide easy access to work. The table shows the basic dimensions. Depending on the customer's desire, we make them in various variants, and we can deliver them compactly or in parts.



| Code no. | Installation method | Base type | Dimensions (mm) |
|----------|---------------------|-----------|-----------------|
| 5082830 | Nadzemno | P-SSN | 920x370x235 |
| 5082832 | Nadzemno | P-SSN | 920x665x235 |
| 5082835 | Uzemno | P-SSU | 920x1055x235 |
| 5082837 | Uzemno | P-SSU | 920x1200x235 |

THE BASE OF POLYESTER CABINETS

The cabinets are mounted on a polyester base above or below ground depending on the type of terrain. The stands are easy to install and provide easy access to work. The table shows the basic dimensions. Depending on the customer's desire, we make them in various variants, and we can deliver them compactly or in parts.


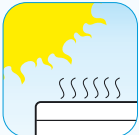


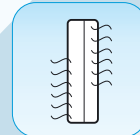
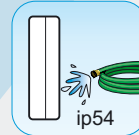


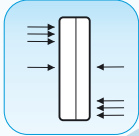
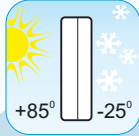
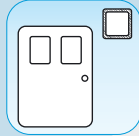

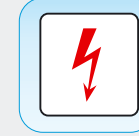



| Code no. | Installation method | Base type | Dimensions (mm) |
|----------|---------------------|-----------|-----------------|
| 5082840 | On ground | P-SSN | 1200x370x235 |
| 5082842 | On ground | P-SSN | 1200x665x235 |
| 5082845 | Underground | P-SSU | 1200x1055x235 |
| 5082847 | Underground | P-SSU | 1200x1200x235 |

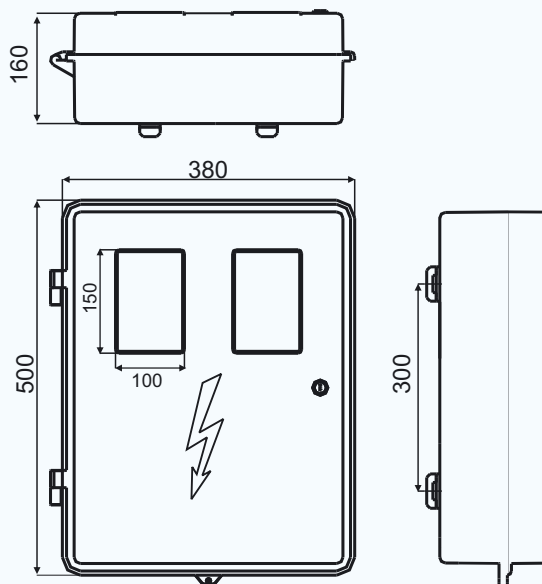
MODULAR MEASURING AND DISTRIBUTION POLYESTER CABINET MRO2-H 500x380x160



FEMAN POLYESTER BOXES - CHARACTERISTICS

| | | | | | | |
|---|---|--|---|--|---|--|
|  resistant to mechanical impact |  UV resistance |  water resistance |  resistant to colour changing |  resistant to bending |  non hygroscopic material |  corrosion resistant |
|  non burning (flame retardant) |  high elastic performance |  high and low temperature resistance |  double layer insulation |  dust resistance |  electrical resistance |  easy montage |

TEHNIICAL DESCRIPTION OF MODULAR- MEASURING AND DISTRIBUTION BOXES



This multipurpose modular universal box is made for montage on the pole, in the wall, on the wall, freestanding with ground base and freestanding with underground base.

It is made from pressed non-burning polyester, reinforced with glass fibers. It is resistant to strokes, bending and has high dielectric strength. Boxes are also resistant to weather conditions, as well as UV-rays. They have no harmful effect to the surroundings and can be completely recycled. They provide good mechanical and electrical protection and they fall under highly insulated boxes. By adding gasket rubber on doors, windows and other holes high degree of sealing IP 54 is achieved. **For it's good technical characteristics they can be used in wet rooms, ambiances with high presence of acid, dust or salt, power plants, rooms with high and low temperatures, industrial facilities etc. Usage is very simple and without additional maintenance.** Usage and montage are very simplified. They count as highly sealed boxes.

In accordance with Europeans standards and norms we have developed wide range of additional equipment for boxes. At customer request we deliver boxes complete equipped according to technical instruction submitted by the customer.

Technical characteristics:

- Level of protection against external mechanical shock
- Degree of protection
- Self-extinguishing
- Shock resistant
- Watertight
- Fireproof

IK 10
IP 54
(klasa I)

| Code no. | Type | Installation method | Weight (kg) | Dimensions mm | Degree of protection |
|----------|-----------|---------------------|-------------|---------------|----------------------|
| 5080320 | MRO2/N-S | Stubni | 5,00 | 500x380x160 | IP 54 |
| 5080321 | MRO2/N-ZU | Zidni-Uzidni | 4,90 | 500x380x160 | IP 54 |



USES AND EXAMPLES



Cabinet for the installation of meters and time switch with door for limiter



In wall polyester universal cabinet with doors without openings



The interior of an empty polyester universal cabinet



Cabinet with switches and control lamps



Cabinet with ridge switches



Cabinet with measuring devices



Measuring cabinet



Cabinet with automatics

TYPES OF CABINET INSTALLATION: POLE, WALL MOUNTED



CABINETS FOR MOUNTING ON A POLE WITH BACK CARRIERS

CABINETS FOR WALL MOUNTING



CABLE CONNECTION CABINET KPK1 ZA 160 A

The cable connection cabinet is made of pressed non-combustible polyester reinforced glass fiber. It is resistant to bumps, bending and has a high dielectric strength. It is resistant to atmospheric influences as well as UV radiation.



KPO is used for the introduction of up to two cable lines of low voltage network (input-output) and for connection of one or two (double KPO) internal connections. Mounted in an easily accessible place in the wall of the building or on the wall of the building. Usually we make them without ventilation holes.

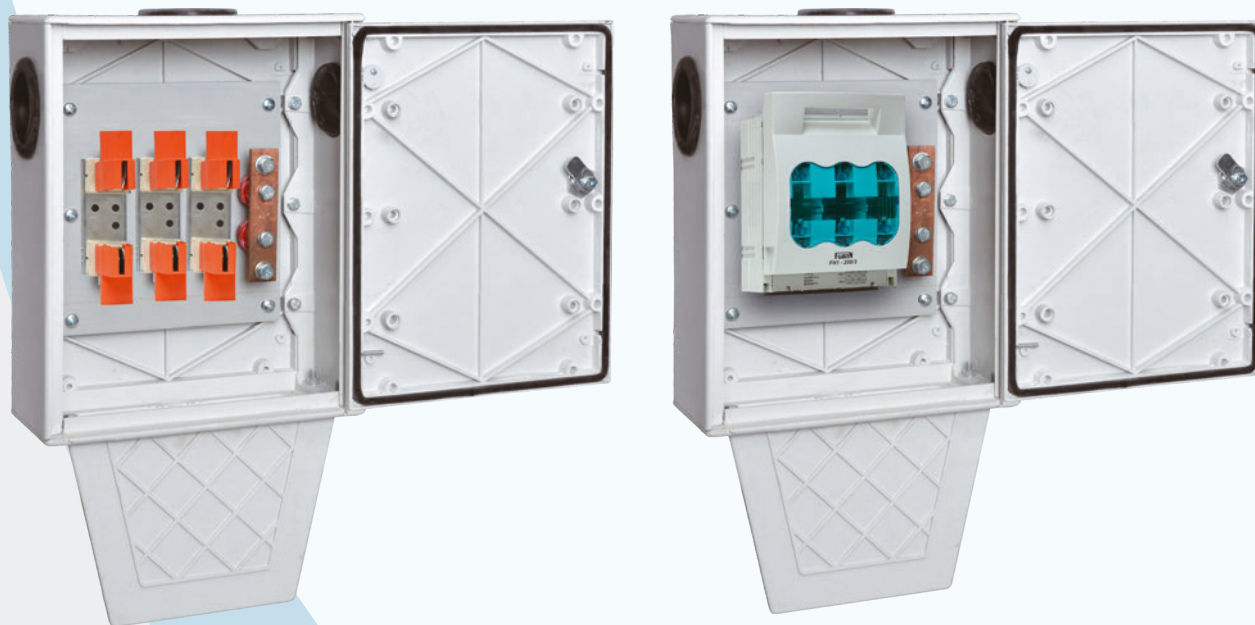
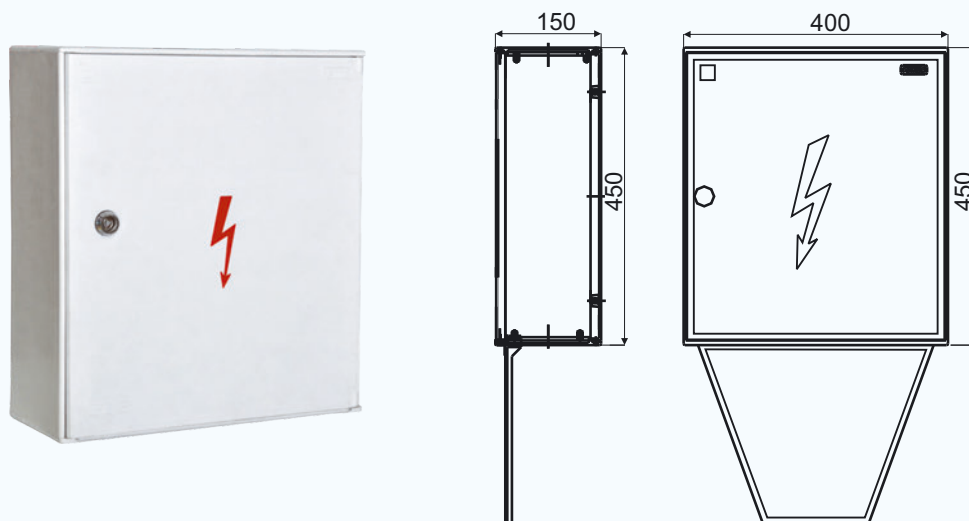
Legenda:

- P** - Empty (without equipment)
- PE** - Empty with flat extruded meter panel
- SS** - Wired, with univ. meter panel, con. insulation box and current clamps

| Code no. | Type |
|----------|--|
| 5707110 | KPK1 275x350x130 P sa zaštitom za kablove |
| 5707120 | KPK1 275x350x130 P bez zaštitom za kablove |
| 5707130 | KPK1 275x350x130 PE sa zaštitom za kablove |
| 5707140 | KPK1 275x350x130 PE bez zaštite za kablove |
| 5707150 | KPK1 275x350x130 SS sa zaštitom za kablove |
| 5707160 | KPK1 275x350x130 SS bez zaštite za kablove |

CABLE CONNECTION CABINET KPK2 ZA 250 A

The cable connection cabinet is made of pressed non-combustible polyester reinforced glass fiber. It is resistant to bumps, bending and has a high dielectric strength. It is resistant to atmospheric influences, as well as UV radiation.



The KPO is used to introduce up to two cable lines of low-voltage network (input-output) and to connect one or two (double KPO) internal terminals. Mounted in an easily accessible place in the wall of the building or on the wall of the building.

Usually they are made without ventilation holes.

Legenda:

- P** - Empty (without equipment)
- PE** - Empty with flat extruded meter panel
- SS** - Wired, with univ. meter panel, con. insulation box and current clamps

| Code no. | Type |
|----------|--|
| 5707210 | KPK2 400x450x150 P sa zaštitom za kablove |
| 5707220 | KPK2 400x450x150 P bez zaštitom za kablove |
| 5707230 | KPK2 400x450x150 PE sa zaštitom za kablove |
| 5707240 | KPK2 400x450x150 PE bez zaštite za kablove |
| 5707250 | KPK2 400x450x150 SS sa zaštitom za kablove |
| 5707260 | KPK2 400x450x150 SS bez zaštite za kablove |

CABLE CONNECTION CABINET KPK3 ZA 400 A

The cable connection cabinet is made of pressed non-combustible polyester reinforced glass fiber. It is resistant to bumps, bending and has a high dielectric strength. It is resistant to atmospheric influences, as well as UV radiation.



The KPO is used to introduce up to two cable lines of low-voltage network (input-output) and to connect one or two (double KPO) internal terminals. Mounted in an easily accessible place in the wall of the building or on the wall of the building.

Usually they are made without ventilation holes.

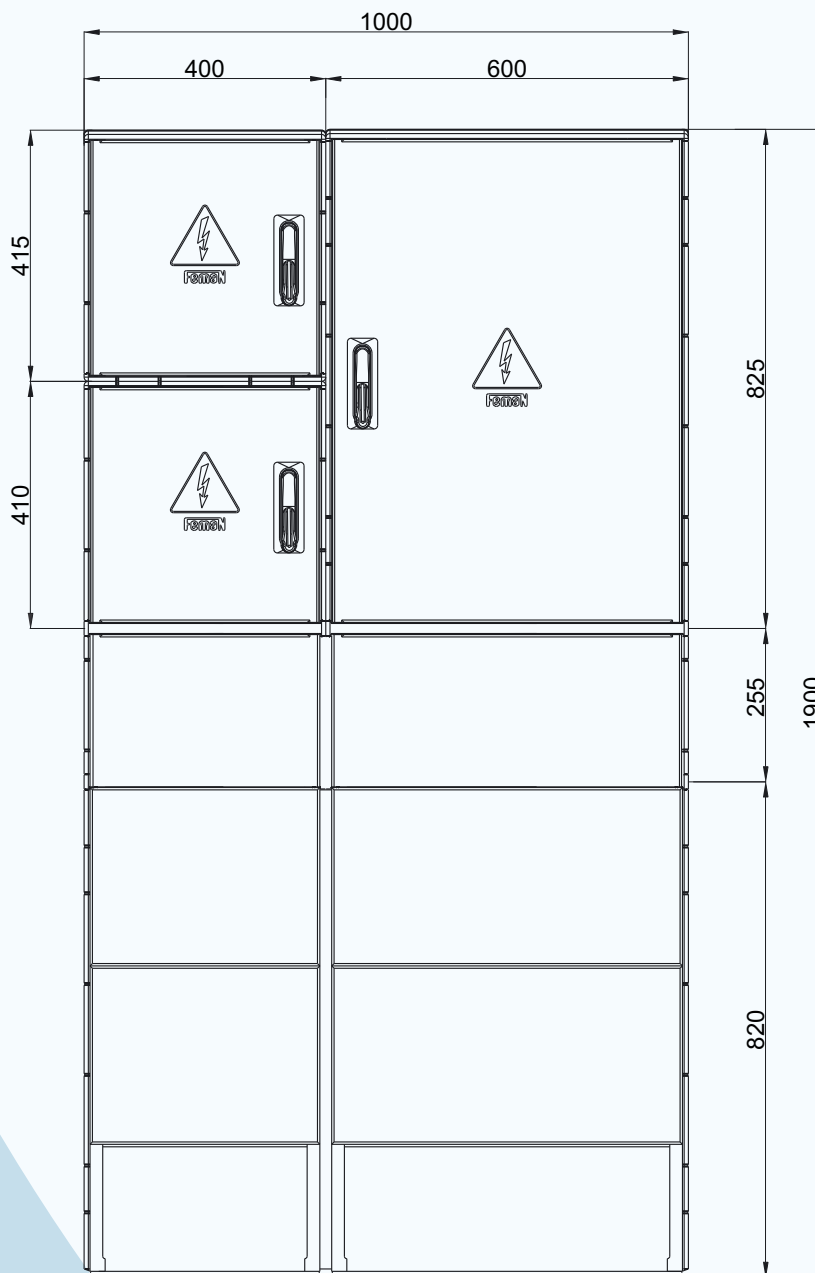
Legenda:

- P** - Prazan (bez opreme)
- PE** - Empty with flat extruded meter panel
- SS** - Wired, with univ. meter panel, con. insulation box and current clamps

| Code no. | Type |
|----------|--|
| 5707310 | KPK3 400x600x150 P sa zaštitom za kablove |
| 5707320 | KPK3 400x600x150 P bez zaštitom za kablove |
| 5707330 | KPK3 400x600x150 PE sa zaštitom za kablove |
| 5707340 | KPK3 400x600x150 PE bez zaštite za kablove |
| 5707350 | KPK3 400x600x150 SS sa zaštitom za kablove |
| 5707360 | KPK3 400x600x150 SS bez zaštite za kablove |

STAND-ALONE DISTRIBUTION CABINET JO LIGHTING WITH BUILT-IN KPK

The stand-alone public lighting distribution box with an integrated cable connection box is intended for measuring consumption, management and power supply of public lighting.



| Code no. | Type |
|----------|------------------------------|
| 5708106 | ROJO-SSN 1000x825x300 V0 |
| 5708116 | ROJO-SSN 1000x825x300 EMPTY |
| 5708206 | ROJO-SSN 1000x1900x300 V0 |
| 5708216 | ROJO-SSN 1000x1900x300 EMPTY |

The cabinet is divided into three parts, and each part has a special door. The right part of the closet is used to accommodate the management and public lighting supply. The upper left part of the cabinet serves to accommodate the installation measurement of lighting consumption. The lower left part of the cabinet serves to accommodate the main power cord connector.

The cabinets are made of pressed polyester with reinforced glass fibers. They are resistant to impacts, bending, moisture, dust, high and low temperatures, and have a high dielectric strength. They are opposed to atmospheric influences as well as to UV radiation.

STAND-ALONE DISTRIBUTION CABINET JO LIGHTING WITH BUILT-IN KPK

An example of equipment layout

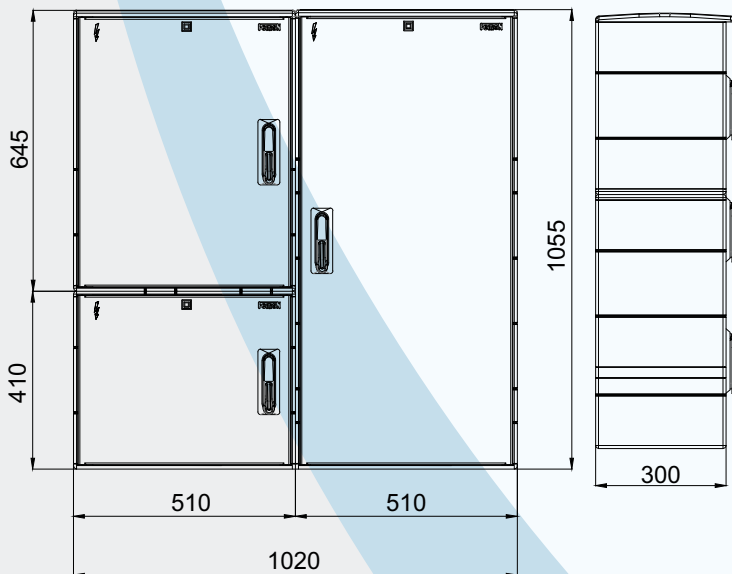


Technical data:

Color
Degree of mechanical protection
Shock resistance
Protection class
Resistance to atmospheric influences
Thermal stability

RAL 7035
IP 54
IK 10
II
UV stable
-40°C do +200°C

The stand-alone public lighting distribution box with an integrated cable connection box is intended for measuring consumption, management and power supply of public lighting.

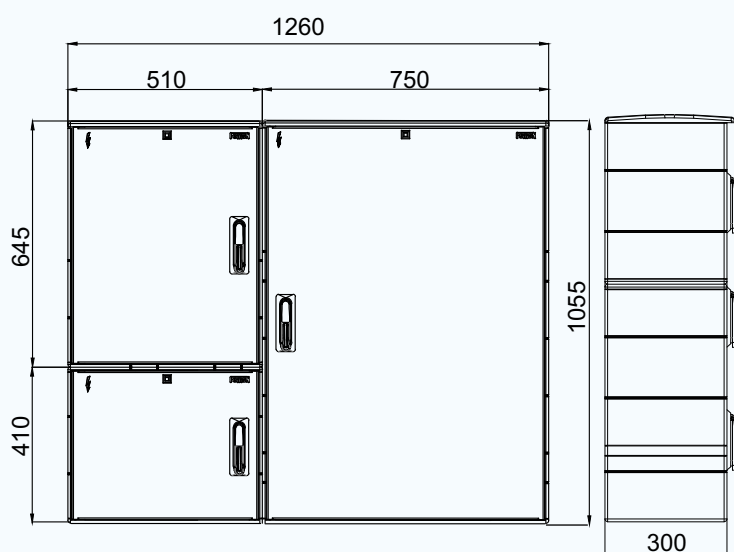


| Code no. | Type |
|----------|---------------------------|
| 5708000 | ROR3-S 1020x1055x300 P |
| 5708001 | ROR3-S 1020x1055x300 PE |
| 5708002 | ROR3-S 1020x1055x300 SS |
| 5708003 | ROR3-SSU 1020x2110x300 P |
| 5708004 | ROR3-SSU 1020x2110x300 SS |

The cabinet is divided into three parts, and each part has a special door. The right part of the closet is used to accommodate the management and public lighting supply. The upper left part of the cabinet serves to accommodate the installation measurement of lighting consumption. The lower left part of the cabinet serves to accommodate the main power cord connector.

The cabinets are made of pressed polyester with reinforced glass fibers. They are resistant to impacts, bending, moisture, dust, high and low temperatures, and have a high dielectric strength. They are resistant to atmospheric influences as well as UV radiation.

The stand-alone public lighting distribution box with an integrated cable connection box is intended for measuring consumption, management and power supply of public lighting.



| Code no. | Type |
|----------|---------------------------|
| 5708006 | ROR6-Z 1260x1055x300 P |
| 5708007 | ROR6-Z 1260x1055x300 PE |
| 5708008 | ROR6-Z 1260x1055x300 SS |
| 5708005 | ROR6-SSU 1260x2110x300 P |
| 5708009 | ROR6-SSU 1260x2110x300 SS |

The cabinet is divided into three parts, and each part has a special door. The right part of the closet is used to accommodate the management and public lighting supply. The upper left part of the cabinet serves to accommodate the installation measurement of lighting consumption. The lower left part of the cabinet serves to accommodate the main power cord connector.

The cabinets are made of pressed polyester with reinforced glass fibers. They are resistant to impacts, bending, moisture, dust, high and low temperatures, and have a high dielectric strength. They are resistant to atmospheric influences as well as UV radiation.

It is used for mounting two fuse rails. For mounting multiple fuse strips, they can be arranged next to each other.



| Code no. | Type |
|----------|----------------------------|
| 5088210 | KPRO-2 320x1055x300 P |
| 5088220 | KPRO-2 320x1055x300 PE |
| 5088230 | KPRO-2 320x1055x300 OL |
| 5088240 | KPRO-2 SSU 320x2110x300 P |
| 5088250 | KPRO-2 SSU 320x2110x300 PE |
| 5088260 | KPRO-2 SSU 320x2110x300 OL |

The cabinet is made of pressed non-combustible polyester reinforced glass fiber. It is resistant to bumps, bending and has a high dielectric strength. It is resistant to atmospheric influences, as well as UV radiation. It provides very good mechanical and electrical protection. It belongs to high isolation cabinets.

Due to their technical characteristics, they can be used in wet rooms, environments where there is a high presence of acids, dust and salt, thermal power plants, rooms with high and low temperatures, industrial halls, etc. The use is easy and without additional maintenance, it is resistant to high and low temperatures. Very easy and simple installation and installation.

It is used for mounting three fuse rails. For mounting multiple fuse strips, they can be arranged next to each other.



| Code no. | Type |
|----------|----------------------------|
| 5088310 | KPRO-3 510x1055x300 P |
| 5088320 | KPRO-3 510x1055x300 PE |
| 5088330 | KPRO-3 510x1055x300 OL |
| 5088340 | KPRO-3 SSU 510x1055x300 P |
| 5088350 | KPRO-3 SSU 510x1055x300 PE |
| 5088360 | KPRO-3 SSU 510x1055x300 OL |

The cabinet is made of pressed non-combustible polyester reinforced glass fiber. It is resistant to bumps, bending and has a high dielectric strength. It is resistant to atmospheric influences, as well as UV radiation. It provides very good mechanical and electrical protection. It belongs to high isolation cabinets.

Due to their technical characteristics, they can be used in wet rooms, environments where there is a high presence of acids, dust and salt, thermal power plants, rooms with high and low temperatures, industrial halls, etc. The use is easy and without additional maintenance, it is resistant to high and low temperatures. Very easy and simple installation and installation.

It is used for mounting four fuse rails. For mounting multiple fuse strips, they can be arranged next to each other.



| Code no. | Type |
|----------|----------------------------|
| 5088410 | KPRO-4 600x1055x300 P |
| 5088420 | KPRO-4 600x1055x300 PE |
| 5088430 | KPRO-4 600x1055x300 OL |
| 5088440 | KPRO-4 SSU 600x2110x300 P |
| 5088450 | KPRO-4 SSU 600x2110x300 PE |
| 5088460 | KPRO-4 SSU 600x2110x300 OL |

The cabinet is made of pressed non-combustible polyester reinforced glass fiber. It is resistant to bumps, bending and has a high dielectric strength. It is resistant to atmospheric influences, as well as UV radiation. It provides very good mechanical and electrical protection. It belongs to high isolation cabinets.

Due to their technical characteristics, they can be used in wet rooms, environments where there is a high presence of acids, dust and salt, thermal power plants, rooms with high and low temperatures, industrial halls, etc. The use is easy and without additional maintenance, it is resistant to high and low temperatures. Very easy and simple installation and installation.

It is used for the assembly of five fuse rails. For mounting multiple fuse strips, they can be arranged next to each other.



| Code no. | Type |
|----------|----------------------------|
| 5088510 | KPRO-5 750x1055x300 P |
| 5088520 | KPRO-5 750x1055x300 PE |
| 5088530 | KPRO-5 750x1055x300 OL |
| 5088540 | KPRO-5 SSU 750x2110x300 P |
| 5088550 | KPRO-5 SSU 750x2110x300 PE |
| 5088560 | KPRO-5 SSU 750x2110x300 OL |

The cabinet is made of pressed non-combustible polyester reinforced glass fiber. It is resistant to bumps, bending and has a high dielectric strength. It is resistant to atmospheric influences, as well as UV radiation. It provides very good mechanical and electrical protection. It belongs to high isolation cabinets.

Due to their technical characteristics, they can be used in wet rooms, environments where there is a high presence of acids, dust and salt, thermal power plants, rooms with high and low temperatures, industrial halls, etc. The use is easy and without additional maintenance, it is resistant to high and low temperatures. Very easy and simple installation and installation.

Polyester distribution low voltage cabinet for pillar transformer station.



The cabinet is made of pressed non-combustible glass fiber reinforced polyester. It is resistant to bumps, bending and has a high dielectric strength. It is resistant to atmospheric influences, as well as UV radiation. It provides very good mechanical and electrical protection. It belongs to high isolation cabinets. The use is easy and without additional maintenance, it is resistant to high and low temperatures. Very easy and simple installation and installation.

It is produced in three variants:

- Distribution cabinet STS 100
- Distribution box STS 250
- Distribution cabinet STS 400

The distribution cabinet is, as a rule, mounted on the pillar or within the structure of the pillar so that manipulations with the switch and other elements in the cabinet are carried out from the ground. The distribution cabinets STS 250 and STS 400 are permitted as a separate freestanding distribution cabinet, mounted separately in the vicinity of a pillar at a suitable location that allows the most favorable low voltage discharge, made of pressed glass fiber reinforced polyester.

| Code no. | Type |
|----------|------------------------------|
| 5089210 | ROSTS-100-S 1020x1055x300 P |
| 5089215 | ROSTS-100-S 1020x1055x300 OP |
| 5089220 | ROSTS-250-S 1020x1055x300 P |
| 5089225 | ROSTS-250-S 1020x1055x300 OP |
| 5089420 | ROSTS-400-S 1020x1055x300 P |
| 5089425 | ROSTS-400-S 1020x1055x300 OP |

Polyester distribution low voltage cabinet for pillar transformer station with reactive energy compensation cabinet and public lighting connection cabinet.



The cabinet is made of pressed non-combustible glass fiber reinforced polyester. It is resistant to bumps, bending and has a high dielectric strength. It is resistant to atmospheric influences, as well as UV radiation. It provides very good mechanical and electrical protection. It belongs to high isolation cabinets. The use is easy and without additional maintenance, it is resistant to high and low temperatures. Very easy and simple installation and installation.

It is produced in three variants:

- Distribution cabinet STS 100
- Distribution box STS 250
- Distribution cabinet STS 400

The distribution cabinet is, as a rule, mounted on the pillar or within the structure of the pillar so that manipulations with the switch and other elements in the cabinet are carried out from the ground. The distribution cabinets STS 250 and STS 400 are permitted as a separate freestanding distribution cabinet, mounted separately in the vicinity of a pillar at a suitable location that allows the most favorable low voltage discharge, made of pressed glass fiber reinforced polyester.

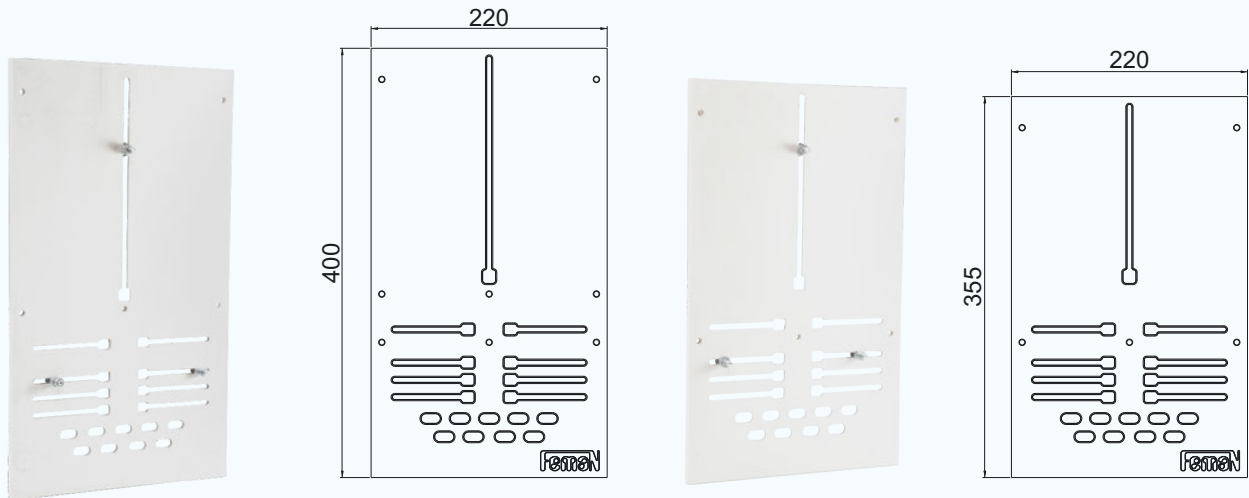
The reactive power compensation cabinet works with special doors. Reactive power compensation in STS 250 (condenser 20 defect) and STS 400 (condenser 20 breakdown) is recommended. Connection is made using a single core or three-core cable, cross-section of conductor 25 mm².

The public lighting distribution cabinet works with special doors.

| Code no. | Type |
|----------|--------------------------------|
| 5089510 | ROSTSKO-100-S 1020x1055x300 P |
| 5089515 | ROSTSKO-100-S 1020x1055x300 OP |
| 5089720 | ROSTSKO-250-S 1020x1055x300 P |
| 5089725 | ROSTSKO-250-S 1020x1055x300 OP |
| 5089820 | ROSTSKO-400-S 1020x1055x300 P |
| 5089825 | ROSTSKO-400-S 1020x1055x300 OP |

PARTS FOR INSTALLATION IN POLYESTER CABINETS

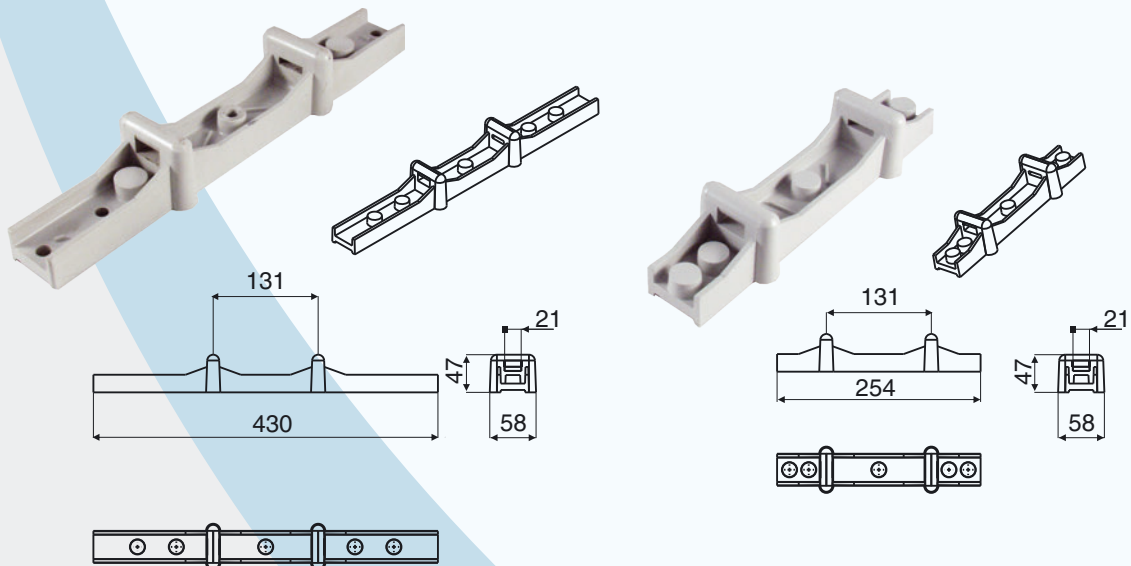
COUNTER TABLE



It is made of high quality, self-extinguishing insulating material. It is fixed for the housing of the measuring distributor cabinet with four screws in the corners and a safety fifth screw under the cover of the meter. The board is designed so that the meter is adjustable in height, and therefore allows installation for all types of meters. On the board there are openings for individual introduction of conductors.

| Code no. | Label | Dimensions (mm) |
|----------|-------------------------|-----------------|
| 5080003 | Tabla za brojilo FTB-35 | 220x355 |
| 5080004 | Tabla za brojilo FTB-40 | 220x400 |

CABINET HOLDERS FOR POLE

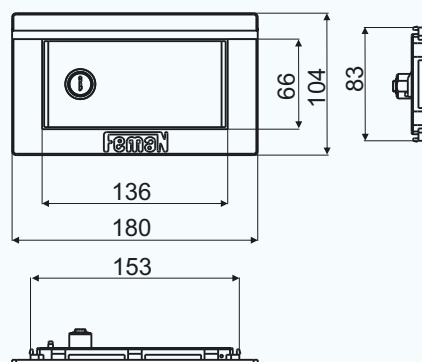
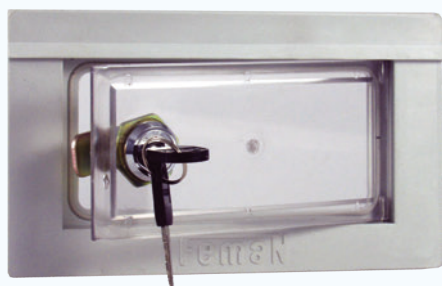


They are made of high quality, self-extinguishing insulating material. They are designed to allow easy and quick installation of the cabinets on the pillar. The cabinet is fixed to the pillar with two holders with the help of a 19 mm wide strap.

| Code no. | Label | Dimensions (mm) |
|----------|------------------------------|-----------------|
| 5080011 | Držač ormara za stub FDO-254 | 58x254x47 |
| 5080013 | Držač ormara za stub FDO-430 | 58x430x47 |

PARTS FOR INSTALLATION IN POLYESTER CABINETS

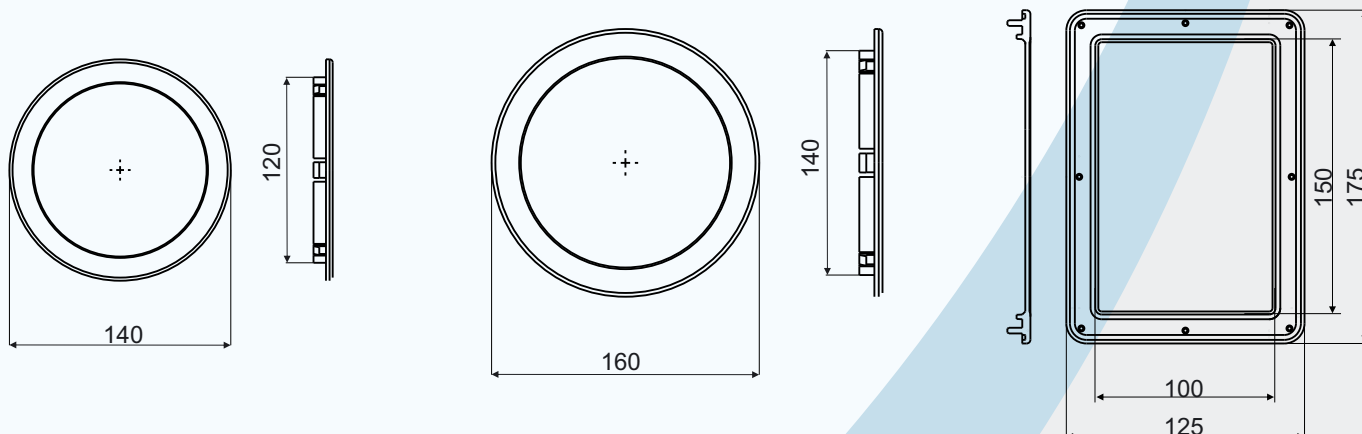
TRANSPARENT DOOR FOR LIMITATORS



They are made of self-extinguishing transparent insulating material. UV and atmospheric conditions resistant. They are delivered together with a universal lock. By installing a gasket, a high degree of IP protection is achieved.

| Code No. | Label | Dimension (mm) |
|----------|----------------------|----------------|
| 5082010 | Doors for limitators | 180x104 |

WINDOW FOR CABINET

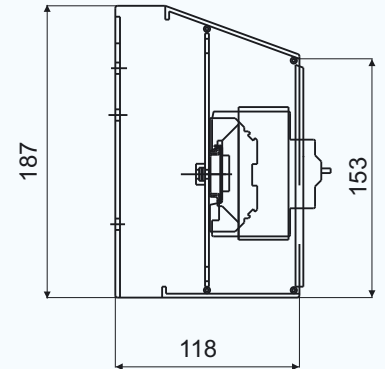
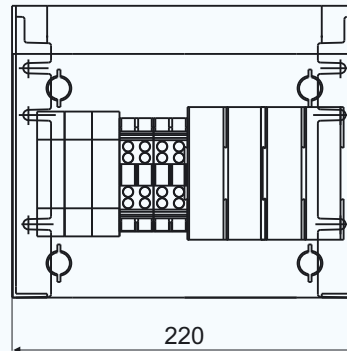


They are made of self-extinguishing transparent insulating material in three standard sizes $\varnothing 140 / 120$, $\varnothing 160 / 140$ and 150×100 mm. UV-resistant and atmospheric. By placing the boss in the window of the window, a high degree of IP protection is achieved.

| Code no. | Label | Dimensions (mm) |
|----------|--------------------------------|-----------------------|
| 5082002 | Window for cabinet FPO 120/140 | $\varnothing 120/140$ |
| 5082003 | Window for cabinet FPO 140/160 | $\varnothing 140/160$ |
| 5082005 | Window for cabinet FPO 100/150 | 100x150 |

PARTS FOR INSTALLATION IN POLYESTER CABINETS

CONNECTION INSULATION BOX



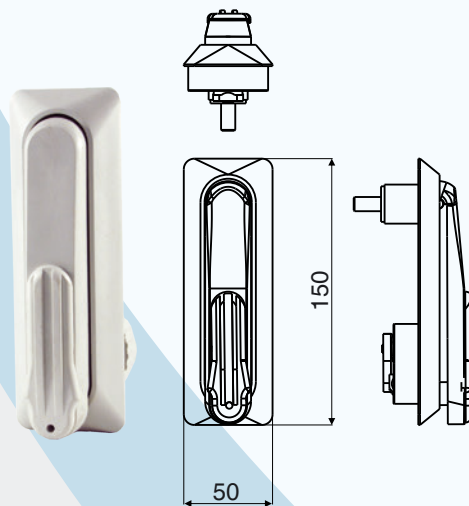
It is made of standard opaque self-extinguishing insulating material and, on customers wish, can be made of transparent material. The construction of the box makes it easy to seal and mount two din rails with a total length of 440 mm. The cover of the connecting box is simply mounted and disassembled by means of four insulation fuses.

| Code no. | Label | Dimension (mm) |
|----------|---|----------------|
| 5082020 | Connection insulation box | 220x187x118 |
| 5082021 | Connection insulation box (transparent) | 220x187x118 |

LOCKS AND CYLINDERS FOR CABINETS



Locks



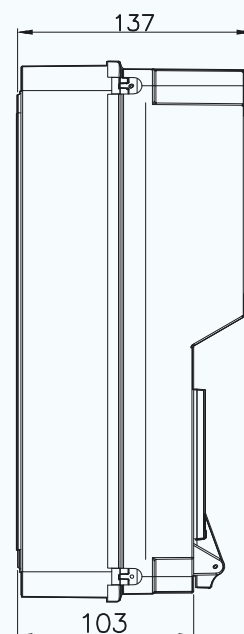
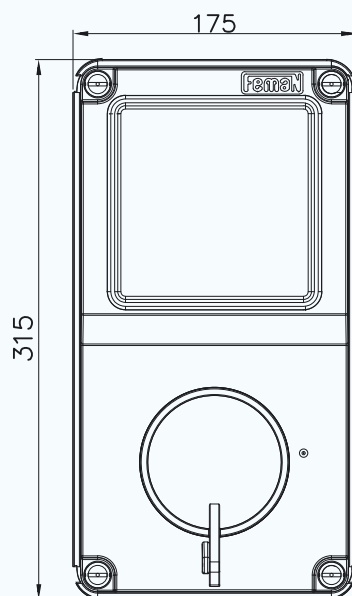
Cylinders



| Code no. | Label |
|----------|--------------------|
| 5083001 | Cylinder half-moon |
| 5083002 | Key half-moon |
| 5083003 | Cylinder triangle |
| 5083004 | Kez triangle |
| 5083005 | The type cylinder |
| 5083006 | Key cylinder |

Depending on the customer's wish, we also work other types of cylinders and keys.

MEASURING CABINET ABS MOM1 175x315x137



The back carrier

It is made of hard ABS in protection IP 65. It is resistant to impact in IK 10 and has high dielectric strength. It is resistant to atmospheric influences, as well as UV radiation. It provides very good mechanical and electrical protection. Use is easy without further maintenance. Because of its technical characteristics, it can be used in wet rooms and in environments where acids are present. It is intended for the installation of primarily mono-phase meters, and also three-phase meters of smaller dimensions, as well as accompanying equipment for them (automatic fuses, regular terminals, ...) can also be installed.

| Code no. | Install. method | Type | Dimensions (mm) | Protection grade |
|----------|-----------------|--------|-----------------|------------------|
| 5140000 | Stubni | MOM1-S | 175x315x137 | IP 65 |
| 5140010 | Zidni | MOM1-Z | 175x315x137 | IP 65 |

DISTRIBUTION CABINETS ABS ROP1 210x280x130



Multi-purpose universal distribution cabinet made of non-combustible hard ABS in protection IP 65. It is resistant to impacts IK 10. It comes with a built-in panel and a triangular lock.

Dimensions: 210x280x130 mm

Packing: 1 pc

Code number: 5083070



DISTRIBUTION CABINETS ABS ROP1 250x330x130



Multi-purpose universal distribution cabinet made of non-combustible hard ABS in protection IP 65. It is resistant to impacts IK 10. It comes with a built-in panel and a triangular lock.

Dimensions: 250x330x130 mm

Packing: 1 pc

Code number: 5083080



DISTRIBUTION CABINETS ABS ROP2 300x400x165



Multipurpose universal distribution cabinet made of non-combustible hard ABS in protection IP 65. It is resistant to impacts IK 10. It comes with a built-in panel and two triangular latches.

Dimensions: 300x400x165 mm

Packing: 1 pc

Code number: 5083090



DISTRIBUTION CABINETS ABS ROP2 350x500x195

Multipurpose universal distribution cabinet made of non-combustible hard ABS in protection IP 65. It is resistant to impacts IK 10. It comes with a built-in panel and two triangular latches.

Dimensions: 350x500x195 mm

Packing: 1 pc

Code number: 5083100



DISTRIBUTION CABINETS ABS ROP2 400x600x200

Multipurpose universal distribution cabinet made of non-combustible hard ABS in protection IP 65. It is resistant to impacts IK 10. It comes with a built-in panel and two triangular latches.

Dimensions: 400x600x200 mm

Packing: 1 pc

Code number: 5083105



DISTRIBUTION CABINETS ABS ROP2 600x800x260

Multi-purpose universal distribution cabinet made of non-combustible hard ABS in protection IP 65. It is resistant to impacts IK 10. It comes with three triangular latches.

Dimensions: 600x800x260 mm

Packing: 1 pc

Code number: 5083110



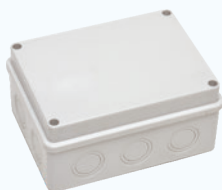
SQUARE DISTRIBUTION BOX 80x80x40



It is used as a wall distribution box for all types of installations. It is made of hard self-adhesive PVC in color ral 7035. In combination with Pg glands, the box provides protection degree IP 65.

Dimensions: 80x80x40 mm
Packing: 40 pcs
Code number: 5138084

SQUARE DISTRIBUTION BOX 150x110x70



It is used as a wall distribution box for all types of installations. It is made of hard self-adhesive PVC in color ral 7035. In combination with Pg glands, the box provides protection degree IP 65.

Dimensions: 150x110x70 mm
Packing: 18 pcs
Code number: 5138100

SQUARE DISTRIBUTION BOX 190x145x80



| Code number | Type | Dimensions mm | Package pcs |
|-------------|-----------|---------------|-------------|
| 5138110 | ČRK 190 | 190x145x80 | 10 |
| 5138112 | ČRK 190 P | 190x145x80 | 10 |

It is used as a wall distribution box for all types of installations. It is made of hard self-extinguishing PVC in color ral 7035. The transparent lid (type P) is made of polycarbonate. It is used in combination with rubber insert or Pg guides.

SQUARE DISTRIBUTION BOX 250x200x90



| Code number | Type | Dimensions mm | Package pcs |
|-------------|-----------|---------------|-------------|
| 5138125 | ČRK 250 | 250x200x90 | 10 |
| 5138127 | ČRK 250 P | 250x200x90 | 10 |

It is used as a wall distribution box for all types of installations. It is made of hard self-extinguishing PVC in color ral 7035. The transparent lid (type P) is made of polycarbonate. It is used in combination with rubber insert or Pg guides.

SQUARE DISTRIBUTION BOX 310x230x130

| Code number | Type | Dimensions mm | Package pcs |
|-------------|----------|---------------|-------------|
| 5138130 | ČRK 310 | 310x230x130 | 6 |
| 5138132 | ČRK 310P | 310x230x130 | 6 |

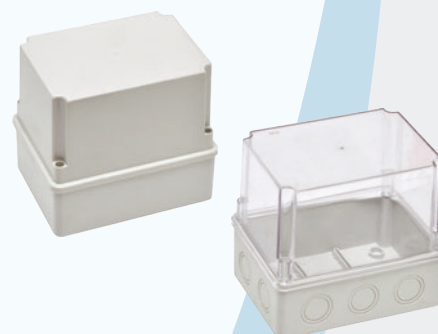
It is used as a wall distribution box for all types of installations. It is made of hard self-extinguishing PVC in color RAL 7035. The transparent cover (type P) is made of polycarbonate. It is used in combination with rubber insert or Pg guides.



SQUARE DISTRIBUTION BOX 150x110x140

| Code number | Type | Dimensions mm | Package pcs |
|-------------|-----------|---------------|-------------|
| 5138120 | ČRK 150 | 150x110x140 | 10 |
| 5138122 | ČRK 150 P | 150x110x140 | 10 |

It is used as a wall distribution box for all types of installations. It is made of hard self-extinguishing PVC in color RAL 7035. The transparent cover (type P) is made of polycarbonate. It is used in combination with rubber inserts or Pg guides.



BOX FOR LIMITATORS FKL1

Used to seal an automatic fuse. It is made of polycarbonate in color RAL 7035.

Dimensions: 30x140x60 mm

Packaging: 140 pcs

Code number: 5138151



BOX FOR LIMITATORS FKL3

Used to seal three automatic fuses. It is made of polycarbonate in color RAL 7035.

Dimensions: 80x140x60 mm

Packaging: 56 pcs

Code number: 5138153



BOX FOR LIMITATORS FKL8

Used to seal eight automatic fuses. It is made of polycarbonate in color RAL 7035.

Dimensions: 120x140x60 mm

Packing: 8 pcs

Code number: 5138158

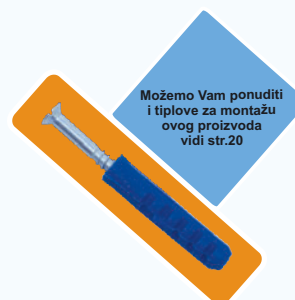


SQUARE DISTRIBUTION BOX

| Code number | Dimensions mm | Package pcs | Weight kg/100pcs |
|-------------|---------------|-------------|------------------|
| 5110040 | 110x110x70 | 100 | 18.2 |
| 5129090 | 90x90x55 | 100 | 11.8 |



They are used as wall distribution boxes for all types of installations. They are made of hard self-adhesive PVC. There are designated places for cable entry on boxes. In combination with sealants, the box provides the degree of protection IP 65.



ON WALL DISTRIBUTION BOX



They are made of self-extinguishing hard PVC. Rubber inserts are easily cut across each dimension of the cable from 10 to 20 mm. FEMAN cable glands can be used instead of rubber plugs.

Dimensions: $\varnothing 70 \times \varnothing 40$ mm
Packaging: 100 pcs
Weight: 6.2 kg / 100 pcs
Code number: 5127040

RUBBER GUIDE FOR WALL DISTRIBUTION BOXES

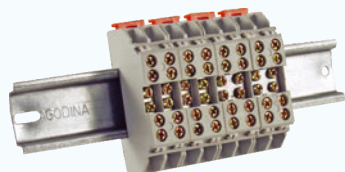


They are made of hard rubber for cables from $\varnothing 10$ to $\varnothing 20$ mm. They easily cut through a certain cable dimension. FEMAN cable glands can be used instead of rubber glands.

Dimensions: $\varnothing 10 - \varnothing 20$ mm
Packaging: 100 pcs
Code number: 5127042

CURRENT CLAMP FRS

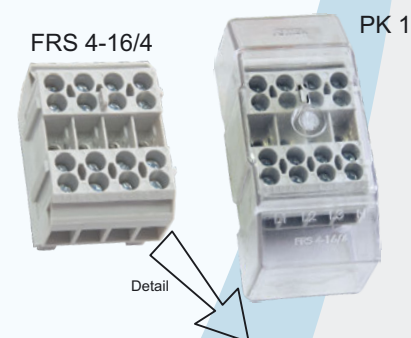
It is used for the layouting of measuring and distribution cabinets. The cabinet is made of high quality imported plastic self-extinguishing mortar V0. The contacts are made of brass profiles that allow simultaneous connection of copper and aluminum. The base of the clamp is designed so that it can be applied to all types of existing rails.



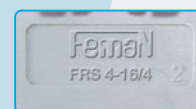
| Code number | Type | Tensile capacity of the supply conductor | Tensile capacity of the drain conductor | Package pcs | Mass kg/100pcs |
|-------------|------------|--|---|-------------|----------------|
| 5000182 | FRS 4-16/2 | 2x (4-6-10-16)mm ² | 2x(4-6-10-16) | 75 | 7 |
| 5000184 | FRS 4-25 D | 2x (4-6-10-16-25)mm ² | 2x(4-6-10-16) | 75 | 7 |

CURRENT CLAMP FRS 4-16/4

It is used for the layouting of measuring and distribution cabinets. The housing is made of high quality imported plastic mass, self-extinguishing V0 and heating resistance of 110°C without deformation. The contacts are made of brass profiles that allow simultaneous connection of copper and aluminum. The clamp housing is so designed that it can be applied to all types of existing rails and can be connected to one another. The clamping capacity of the inlet and outlet conductors is from 4 mm² to 16 mm². On request, customers of the clamp are supplied with and without transparent sealing cap.



| Code number | Type | Tensile capacity of the supply conductor | Tensile capacity of the drain conductor | Package pcs | Mass kg/100pcs |
|-------------|------------|--|---|-------------|----------------|
| 5000181 | FRS 4-16/4 | 4x(4-6-10-16) mm ² | 4x(4-6-10-16) mm ² | 80 | 13,5 |
| 5000191 | PK 1 | 4x(4-6-10-16) mm ² | 4x(4-6-10-16) mm ² | 80 | 15 |



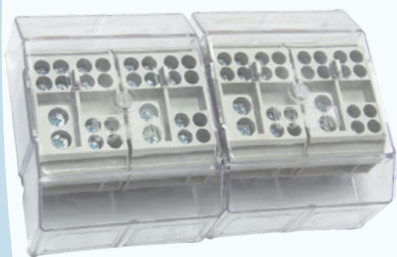
CURRENT CLAMP DOUBLE FRS-D 16-35/2x(4-16)

It is used for the layouting of measuring and distribution cabinets. The housing is made of high quality imported plastic mass, self-extinguishing V0 and heating resistance of 110°C without deformation. The contacts are made of brass profiles that allow simultaneous connection of copper and aluminum. The clamp housing is so designed that it can be applied to all types of existing rails and can be connected to one another. The maximum cross-section of the two input conductors is 35 mm², and the maximum cross-section of the output conductors is 16 mm².



| Code number | Type | Tensile capacity of the supply conductor | Tensile capacity of the drain conductor | Package pcs | Mass kg/100pcs |
|-------------|----------------------|--|---|-------------|----------------|
| 5000180 | FRS-D 16-35/2x(4-16) | 2x(16-25-35) mm ² | 2x(2x(4-6-10-16)) mm ² | 80 | 18 |
| 5000192 | PK 2 | 4x(16-25-35) mm ² | 4x(2x(4-6-10-16)) mm ² | 40 | 37,5 |

CURRENT CLAMP QUAD-POLE FRS 16-35/4x(4-16)



PK 4

It is used for the layouting of measuring and distribution cabinets. The housing is made of high quality imported plastic mass, self-extinguishing V0 and heating resistance of 110 ° C without deformation. The contacts are made of brass profiles that allow simultaneous connection of copper and aluminum. The clamp housing is so designed that it can be applied to all types of existing rails and can be connected to one another. The maximum cross-section of the input conductor is 35 mm², and the maximum cross-section of the output conductors is 16 mm².



| Code number | Type | Tensile capacity of the supply conductor | Tensile capacity of the drain conductor | Package pcs | Mass kg/100pcs |
|-------------|--------------------|--|---|-------------|----------------|
| 5000179 | FRS 16-35/4x(4-16) | 16-25-35 mm ² | 4x(4-6-10-16) mm ² | 80 | 15 |
| 5000194 | PK 4 | 4x(16-25-35) mm ² | 16x(4-6-10-16) mm ² | 20 | 63 |

CURRENT CLAMP SIX-POLE FRS 16-35/6x(4-16)



It is used for the layouting of measuring and distribution cabinets. The housing is made of high quality imported plastic mass, self-extinguishing V0 and heating resistance of 110 ° C without deformation. The contacts are made of brass profiles that allow simultaneous connection of copper and aluminum. The clamp housing is so designed that it can be applied to all types of existing rails and can be connected to one another. The maximum cross-section of the input conductor is 35 mm², and the maximum cross-section of the output conductors is 16 mm².



| Code number | Type | Tensile capacity of the supply conductor | Tensile capacity of the drain conductor | Package pcs | Mass kg/100pcs |
|-------------|--------------------|--|---|-------------|----------------|
| 5000178 | FRS 16-35/6x(4-16) | 16-25-35mm ² | 6x(4-6-10-16)mm ² | 30 | 25 |
| 5000196 | PK 6 | 4x(16-25-35)mm ² | 24x(4-6-10-16)mm ² | 10 | 103 |

SEALING LID FOR CURRENT CLAMPS



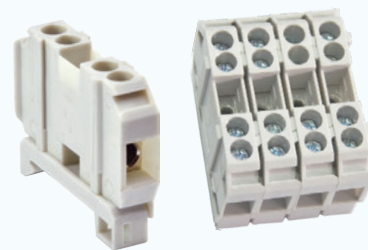
It is used for sealing of regular terminal clamps. They are made of transparent plastic materials of high quality.

| Code number | Label | Type | Package pcs | Mass kg/100pcs |
|-------------|------------------------------------|---------------|-------------|----------------|
| 5000188 | Poklopac za plombiranje FRS 4-16/4 | FPB 4-16/4 | 100 | 1,5 |
| 5000189 | Poklopac za plombiranje FRS 16-35 | FPB-D 16-35/2 | 100 | 2,5 |

MODULAR CURRENT CLAMP MRS 4-16

It is used for the layouting of measuring and distribution cabinets. The housing is made of high quality imported plastic mass, self-extinguishing V0 and heating resistance of 110 ° C without deformation. The contacts are made of brass profiles that allow simultaneous connection of copper and aluminum.

The clamp housing is so designed that it can be applied to all types of existing rails and can be connected to one another. The cross-section of the input conductor is 4 to 16 mm², and the cross-section of the conductor is also 4 to 16 mm².

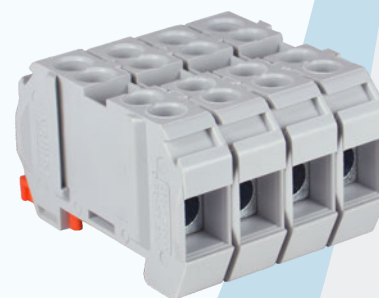


| Code number | Type | Tensile capacity of the supply conductor | Tensile capacity of the drain conductor | Package pcs | Mass kg/100pcs |
|-------------|------------|--|---|-------------|----------------|
| 5000185 | MRS 4-16/1 | 4-6-10-16 mm ² | 4-6-10-16 mm ² | 150 | 2,5 |
| 5000186 | MRS 4-16/2 | 4-6-10-16 mm ² | 4-6-10-16 mm ² | 100 | 5 |
| 5000187 | MRS 4-16/4 | 4-6-10-16 mm ² | 4-6-10-16 mm ² | 50 | 10 |

MODULAR CURRENT CLAMP FRS 4-35

It is used for the layouting of measuring and distribution cabinets. The housing is made of high quality imported plastic mass, self-extinguishing V0 and heating resistance of 110 ° C without deformation. The contacts are made of brass profiles that allow simultaneous connection of copper and aluminum.

The clamp housing is so designed that it can be applied to all types of existing rails and can be connected to one another. The cross-section of the input conductor is 4 to 35 mm², and the cross-section of the conductor is also 4 to 35 mm².

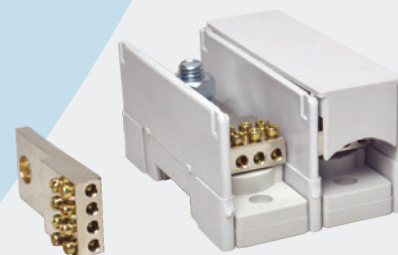


| Code number | Type | Tensile capacity of the supply conductor | Tensile capacity of the drain conductor | Package pcs | Mass kg/100pcs |
|-------------|------------|--|---|-------------|----------------|
| 5000167 | FRS 4-35/1 | 4-6-10-16-25-35 mm ² | 4-6-10-16-25-35 mm ² | 75 | 6,5 |
| 5000168 | FRS 4-35/2 | 4-6-10-16-25-35 mm ² | 4-6-10-16-25-35 mm ² | 75 | 13 |
| 5000170 | FRS 4-35/4 | 4-6-10-16-25-35 mm ² | 4-6-10-16-25-35 mm ² | 75 | 26 |

CURRENT CLAMP FOUR-POLE FRS 95/4x(1,5-6)

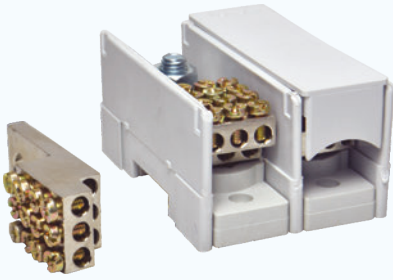
It is used for the layouting of measuring and distribution cabinets. The housing is made of high quality imported plastic mass, self-extinguishing V0 and heating resistance of 110 ° C without deformation. The contacts are made of brass profiles that allow simultaneous connection of copper and aluminum.

The clamp housing is so designed that it can be applied to all types of existing rails and can be connected to one another. Acceptance of the conductor is via the M8 screw for a maximum cross section of conductors of 95 mm². The maximum cross-section of the four output leads is 6 mm².



| Code number | Type | Tensile capacity of the supply conductor | Tensile capacity of the drain conductor | Package pcs | Mass kg/100pcs |
|-------------|------------------|--|---|-------------|----------------|
| 5000174 | FRS 95/4x(1,5-6) | 6-10-16-25-35-50-70-95 mm ² | 4x(1,5-2,5-4-6) mm ² | 20 | 23 |

CURRENT CLAMP SIX-POLE FRS 95/6x(4-16)

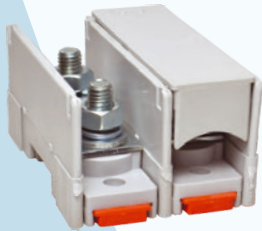


It is used for the layouting of measuring and distribution cabinets. The housing is made of high quality imported plastic mass, self-extinguishing V0 and heating resistance of 110 ° C without deformation. The contacts are made of brass profiles that allow simultaneous connection of copper and aluminum.

The clamp housing is so designed that it can be applied to all types of existing rails and can be connected to one another. Acceptance of the conductor is via the M8 screw for a maximum cross section of conductors of 95 mm². The maximum cross-section of the output conductors is 16 mm².

| Code number | Type | Tensile capacity of the supply conductor | Tensile capacity of the drain conductor | Package pcs | Mass kg/100pcs |
|-------------|-----------------|--|---|-------------|----------------|
| 5000176 | FRS 95/6x(4-16) | 10-16-25-35-50-70-95 mm ² | 6x(4-6-10-16) mm ² | 20 | 30 |

CURRENT CLAMP FRS 95/95

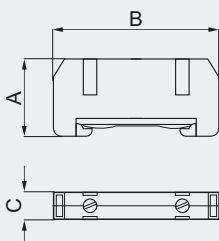
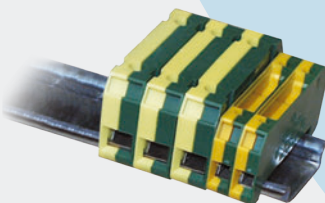


It is used for the layouting of measuring and distribution cabinets. The housing is made of high quality imported plastic mass, self-extinguishing V0 and heating resistance of 110 ° C without deformation. The contact is made of a brass rail which allows simultaneous connection of copper and aluminum.

The clamp housing is so designed that it can be applied to all types of existing rails and can be connected to one another. Acceptance of the conductor is via the screw. The maximum cross-section of the conductor is up to 95 mm².

Packing: 50 pcs
Weight: 15 kg / 100 pcs
Code: 5000172

VS-CLAMP FOR GROUNDING

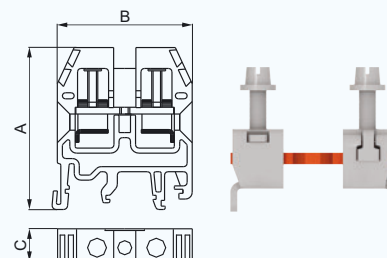


| Code number | Mark mm ² | Dimensions AxBxC | Package pcs | Mass kg/100pcs |
|-------------|----------------------|------------------|-------------|----------------|
| 5000072 | FKU 2.5 | 24x55x7,5 | 100 | 1,0 |
| 5000076 | FKU 6 | 24x55x8,5 | 100 | 1,3 |
| 5000078 | FKU 16 | 28,5x55x11,5 | 50 | 2,4 |

It is designed so that the metal teeth (link to the rail) simultaneously serve to connect the clamp to the ground.

CLAMPS FOR STRINGIN (VS - CLAMPS)

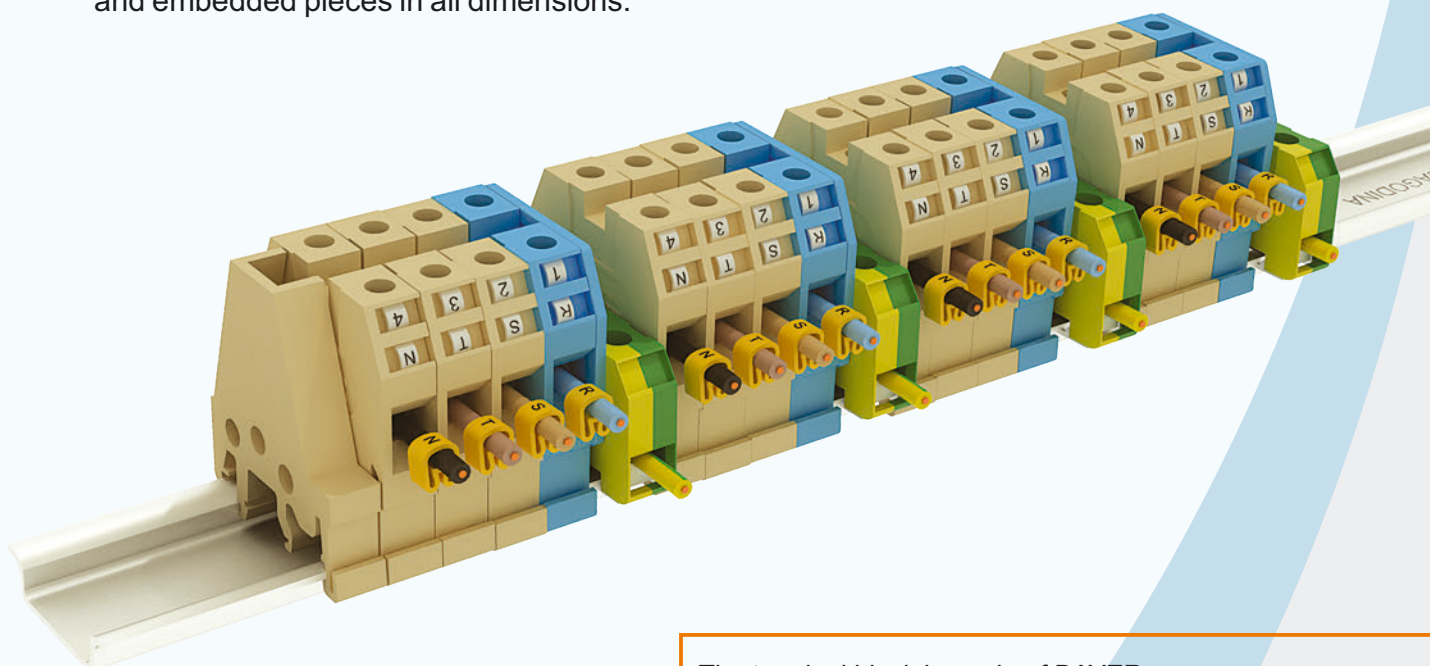
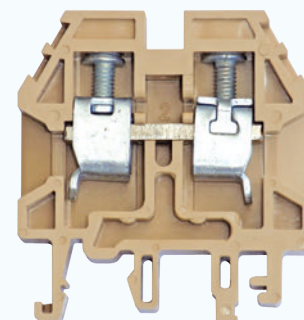
| Code number | Mark mm ² | Dimensions AxBxC | Package pcs | Weight kg/100pcs |
|-------------|----------------------|------------------|-------------|------------------|
| 5000004 | FKN 2,5-4 | 48x40x7 | 120 | 1,31 |
| 5000006 | FKN 6 | 48x40x9 | 100 | 1,80 |
| 5000010 | FKN 10 | 48x40x10 | 100 | 2,20 |
| 5000016 | FKN 16 | 53x50x12 | 50 | 2,93 |
| 5000035 | FKN 25-35 | 53x50x15 | 50 | 4,75 |



The FEMAN clamp terminals have recently been manufactured exclusively from premium imported plastics, self-extinguishing V-0 and have an insulating properties of 750 V, as well as resistance to heating 1100C without deformation.

The base of the terminals are so designed that they can be applied to all types of existing rails. FEMAN VS-terminals are made in full compliance with the applicable IEC regulations for this type of product. In addition to more sizes of clamps (2.5 - 35 mm²), FEMAN products and complete accessories - elements.

FEMAN has been proven by the quality of the clamping clamp in recent years, and the reference is several millions of delivered and embedded pieces in all dimensions.

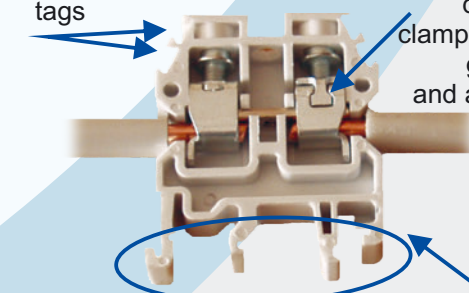


Fast and easy installation and disassembly on all kinds of rails



The terminal block is made of BAYERs high quality, high temperature, self-extinguishing polyamide with a large capacity toughness - do not shoot wearing teeth and opening for reeling

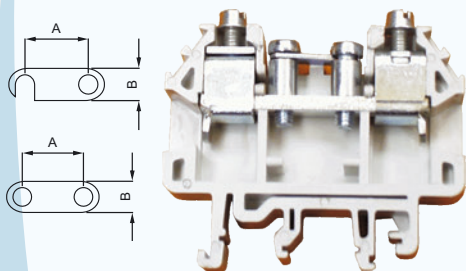
Place for tags



Superior technical solution specific T compound locking the contact part disables opening clamp terminals and that's it guaranteed safe and a durable connection

The base terminals are universal and can be dropped on all types of rails

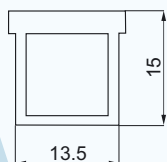
CLAMPS FOR STRINGING (VS-CLAMP) BYPAS 1,5 - 16 mm² - WITH ACCESSORIES



| Code number | Mark mm ² | Dimensions AxBxC | Package pcs | Mass kg/100pcs |
|-------------|---|------------------|-------------|----------------|
| 5000066 | FKN 16 P | 53x50 | 50 | 3,20 |
| 5000281 | Premosnica 2- polna 16-P pokretna | - | 50 | 0,60 |
| 5000282 | Premosnica 2- polna 16-P nepokretna | - | 50 | 0,63 |
| 5000284 | Rolnica za premoščavanje sa vijkom 16-P | - | 50 | 0,90 |

Note: When connecting personal products to VS terminals, be sure to use insulated hilz or needle slippers, or finish calibration (tinning).

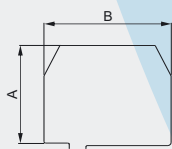
INTERMEDIATE PLATE FOR VS - CLAMP



It serves to separate the paths when the VS clamp is down. The thickness of the interlayer is 0.5 mm.

Packaging: 100 pcs
Weight: 0.01 kg / 100 pcs
Code: 5000118

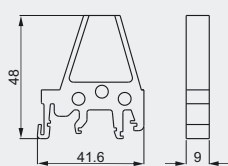
OUTERMOST PLATE FOR VS - CLAMP



| Code number | For VS klamp | AxB mm | Package pcs | Mass kg/100pcs |
|-------------|--------------|--------|-------------|----------------|
| 5000066 | FKN 4-10 | 37x40 | 500 | 0,30 |
| 5000281 | FKN 16-35 | 42x50 | 500 | 0,42 |
| 5000282 | FKN 16 P | 36x58 | 500 | 0,29 |

They are used for mounting the VS clamp as the end of the clamp sequence, that is, for closing the open part of the VS clamp, as well as for removing the clamp group.

VS - CLAMP LIMITER

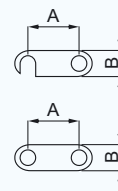
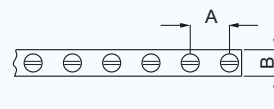


It is used at the end of a series of VS fixing clamps on the track. The limiter body is made of high quality polyamide. It can be mounted on all standard materials thanks to the specific construction of the stop of the stop.

Packaging: 100 pcs
Weight: 0.96 kg / 100 pcs
Code: 5000120

BYPAS-RAIL FOR VS-CLAMP

| Code number | Broj polova | For VS clamp | A mm | B mm | Package pcs. | Weight kg/100pcs |
|-------------|-------------|--------------|------|------|--------------|------------------|
| 5000204 | 2 | FKN 2.5-4 | 7,8 | 6x1 | 10 | 0,70 |
| 5000206 | 2 | FKN 6 | 8,9 | 6x1 | 10 | 0,76 |
| 5000210 | 2 | FKN 10 | 10,2 | 6x1 | 10 | 0,82 |
| 5000216 | 2 | FKN 16 | 12,2 | 6x2 | 10 | 0,88 |
| 5000235 | 2 | FKN 25-35 | 21,1 | 6x2 | 10 | 0,94 |
| 5000236 | 3 | FKN 2.5-4 | 7,8 | 6x1 | 10 | 1,05 |
| 5000237 | 3 | FKN 6 | 8,9 | 6x1 | 10 | 1,14 |
| 5000238 | 3 | FKN 10 | 10,2 | 6x1 | 10 | 1,23 |
| 5000240 | 3 | FKN 16 | 12,2 | 6x2 | 10 | 1,32 |
| 5000242 | 3 | FKN 25-35 | 21,1 | 6x2 | 10 | 1,41 |
| 5000244 | 4 | FKN 2.5-4 | 7,8 | 6x1 | 10 | 1,40 |
| 5000246 | 4 | FKN 6 | 8,9 | 6x1 | 10 | 1,52 |
| 5000247 | 4 | FKN 10 | 10,2 | 6x1 | 10 | 1,64 |
| 5000248 | 4 | FKN 16 | 12,2 | 6x2 | 10 | 1,76 |
| 5000249 | 4 | FKN 25-35 | 21,1 | 6x2 | 10 | 1,88 |
| 5000250 | 5 | FKN 2.5-4 | 7,8 | 6x1 | 10 | 1,75 |
| 5000251 | 5 | FKN 6 | 8,9 | 6x1 | 10 | 1,90 |
| 5000252 | 5 | FKN 10 | 10,2 | 6x1 | 10 | 2,05 |
| 5000253 | 5 | FKN 16 | 12,2 | 6x2 | 10 | 2,20 |
| 5000254 | 5 | FKN 25-35 | 21,1 | 6x2 | 10 | 2,35 |
| 5000255 | 10 | FKN 2.5-4 | 7,8 | 6x1 | 10 | 3,50 |
| 5000260 | 10 | FKN 6 | 8,9 | 6x1 | 10 | 3,80 |
| 5000270 | 10 | FKN 10 | 10,2 | 6x1 | 10 | 4,10 |
| 5000275 | 10 | FKN 16 | 12,2 | 6x2 | 10 | 4,40 |
| 5000278 | 10 | FKN 25-35 | 21,1 | 6x2 | 10 | 4,70 |
| 5000281 | 2 pokr. | FKN 16 P | 12,2 | 6x1 | 10 | 0,60 |
| 5000282 | 2 nepokr. | FKN 16 P | 12,2 | 6x1 | 10 | 0,63 |

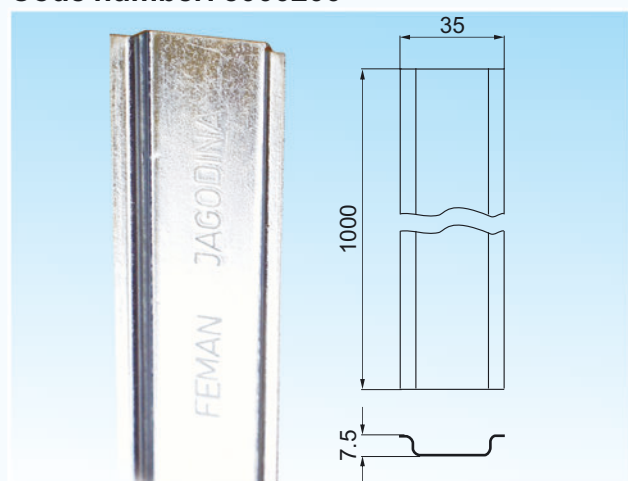
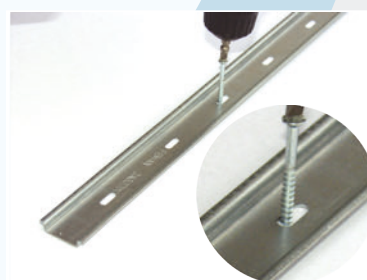


By special order, we produce and deliver bypasses with the desired number of poles.

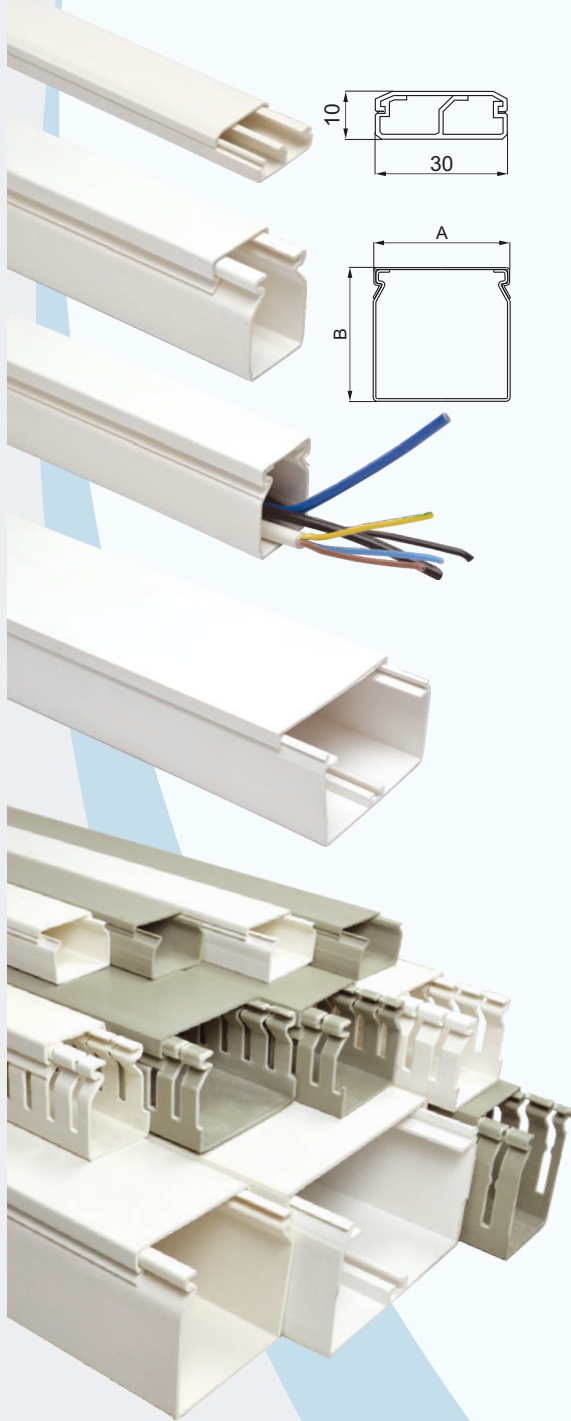
GUIDING RAIL FOR VS CLAMP

Used to carry VS clamps connected to the array. The advantage of this rail is that it is made by rolling and is calibrated so that it keeps all the elements well, and the teeth of the elements firmly against the rail. These rails do not shoot due to the tight tolerance.

Packaging: 10 pcs
Weight: 31 kg / 100 pcs
Code number: 5000200



PVC PIPES FOR POWER LINES WITHOUT INCISIONS



| Code number | | A x B mm | Length mm | Package pcs | Weight kg/pcs |
|-------------|---------|-------------|--------------|----------------|------------------|
| white | gray | | | | |
| 5003017 | 5003018 | 17 x 17 | 2000 | 50 | 0,28 |
| 5003010 | 5003011 | 30 x 10 | 2000 | 50 | 0,42 |
| 5003020 | 5003021 | 30 x 20 | 2000 | 50 | 0,47 |
| 5003040 | 5003041 | 30 x 40 | 2000 | 25 | 0,63 |
| 5003060 | 5003061 | 30 x 60 | 2000 | 20 | 0,82 |
| 5004040 | 5004041 | 40 x 40 | 2000 | 20 | 0,74 |
| 5004060 | 5004061 | 40 x 60 | 2000 | 20 | 1,03 |
| 5006040 | 5006041 | 60 x 40 | 2000 | 20 | 0,94 |
| 5006060 | 5006061 | 60 x 60 | 2000 | 15 | 1,22 |
| 5006120 | 5006121 | 60 x 120 | 2000 | 10 | 2,06 |

Power lines are used for the modern execution and laying of all kinds of electro, PTT, singular and other installations on the wall. They enable easy assembly, quick replacement of conductors for possible failures and subsequent installation of wiring installations. Provides safe mechanical protection of the electrical line. They provide good visibility and give the installation a good aesthetic appearance. They are stable in shape and highly resistant to the effects of chemicals. They are suitable for mounting on all surfaces, horizontally and vertically.

Channel channeling is done by dividing the sides according to the dimension of the separation channel, and when cornering, the ends of the channel are adjusted by the cutting by the required angles. On the top side, the channel cover is mounted manually without the use of tools. The same ends of the channels can be closed as needed. At the end of the cover, cut the page in the length of the channel height and then heat the bending position and perform the design.

Channel 30x10 is intended for the execution of wall-mounted PTT, electrical and computer installations in offices, laboratories, workshops, etc. It has a longitudinal ceiling and its design fits into all the interior. The construction of the channel enables the proper management of PTT and computer lines with power lines.

The channels are made of hard, self-extinguishing PVC, temperature-resistant to a temperature of 70 ° C.

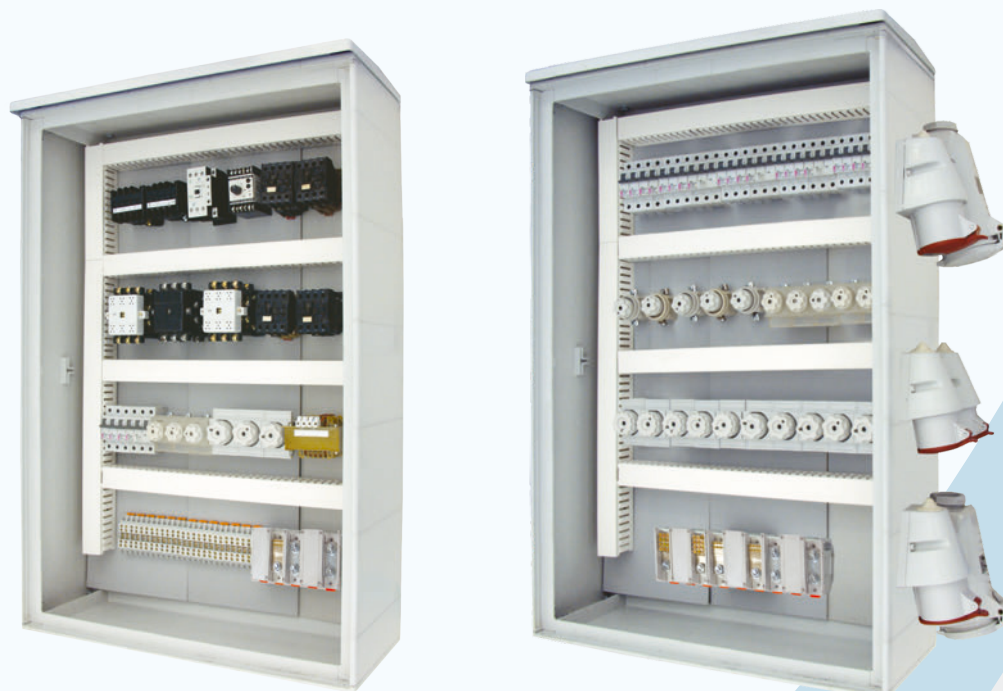
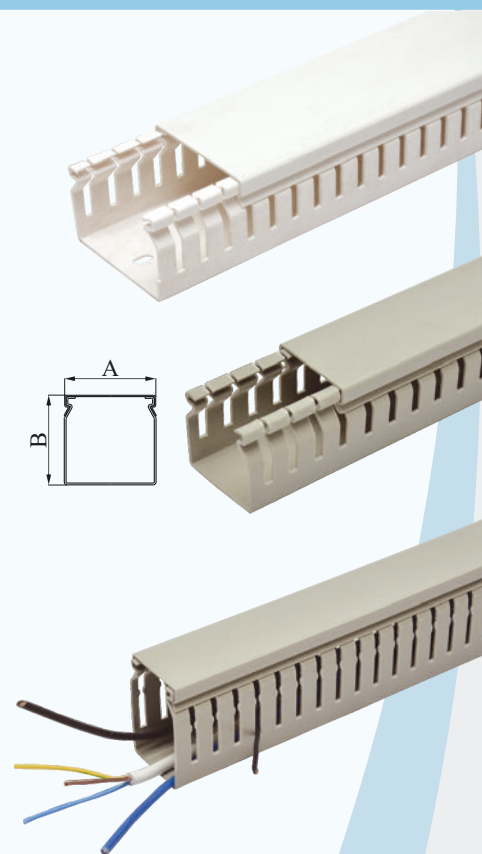
We can offer you
and anchors for assembly
this product



PVC PIPES FOR POWER LINES WITH INCISIONS

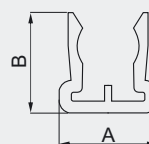
| Code number white | Code number gray | A x B mm | Length mm | Package pcs | Weight kg/pcs |
|----------------------|---------------------|-------------|--------------|----------------|------------------|
| 5063040 | 5063041 | 30 x 40 | 2000 | 25 | 0,60 |
| 5063060 | 5063061 | 30 x 60 | 2000 | 20 | 0,70 |
| 5064040 | 5064041 | 40 x 40 | 2000 | 20 | 0,65 |
| 5064060 | 5064061 | 40 x 60 | 2000 | 20 | 0,90 |
| 5066040 | 5066041 | 60 x 40 | 2000 | 20 | 0,88 |
| 5066060 | 5066061 | 60 x 60 | 2000 | 16 | 1,14 |
| 5066120 | 5066121 | 60 x 120 | 2000 | 10 | 1,92 |

Sewing channels are very suitable for carrying out and laying out supervisory installations in offices, laboratories, workshops, etc. They enable easy assembly, quick replacement of conductors for possible failures and subsequent installation of wiring installations. Provides safe mechanical protection of the electrical line. They provide good visibility and give the installation a good aesthetic appearance. They are stable in shape and highly resistant to the effects of chemicals. They are suitable for mounting on all surfaces, horizontally and vertically. The sides of the wiring channels are cut out (siphoned), which makes it easy to branch out the power lines and fix them on the various elements. The size of the opening is regulated by removing one or more ridges on the side of the channel. The channels are made of hard, self-extinguishing PVC, temperature-resistant to a temperature of 70 ° C. Usually we produce them in white and gray, but at the customer's request, they can work in all other colors.



PVC CHANNELS FOR WALL INSTALLATIONS

| Code number | For a conductor mm ² | Length mm | Package kom | Weight kg/kom |
|-------------|------------------------------------|--------------|----------------|------------------|
| 5000315 | 3 x 1,5 | 2000 | 50 | 13,6 |
| 5000325 | 3 x 2,5 | 2000 | 50 | 17 |
| 5000525 | 5 x 2,5 | 2000 | 50 | 20,6 |



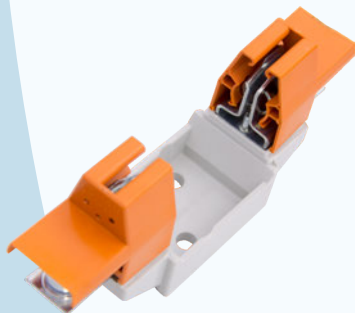
HANDLE FOR LEGGED FUSES



| Code number | Type | In A | Package pcs | Weight kg/pcs |
|-------------|-----------|-------|-------------|---------------|
| 5410001 | NV-00-3 | 2-630 | 10 | 0,27 |
| 5410002 | PROTECTED | 2-630 | 10 | 0,50 |

Used to install and remove blade fuses from NV-00 to NV-03. It is made of thermoplastic electrical insulation material. It works with and without protection.

SINGLE-POLE BASES OF LEGGED FUSE

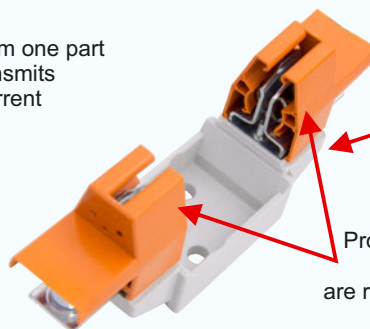


| Code number | Type | In A | Package pcs | Weight kg/pcs |
|-------------|-----------|------|-------------|---------------|
| 5410101 | FPK 160/1 | 160 | 3 | 0,18 |
| 5410251 | FPK 250/1 | 250 | 3 | 0,59 |
| 5410401 | FPK 400/1 | 400 | 3 | 1,03 |

They are used to protect short-circuit and overload electrical grids.



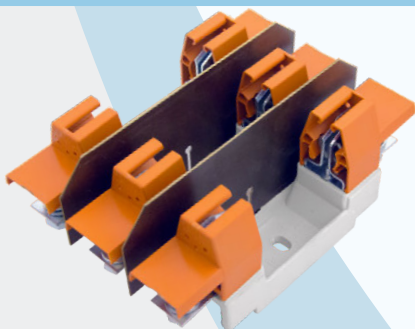
Contact from one part reliably transmits nominal current



The stand is made of polyester which is provided high mechanical strength

Protective lids made of special polyamide resistant to high temperatures are reliable protection against voltage contact

THREE-POLE BASES OF LEGGED FUSE



| Code number | Type | In A | Package pcs | Weight kg/pcs |
|-------------|-----------|------|-------------|---------------|
| 5410103 | FPK 160/3 | 160 | 1 | 0,56 |
| 5410253 | FPK 250/3 | 250 | 1 | 1,76 |
| 5410403 | FPK 400/3 | 400 | 1 | 3,07 |

They are used to protect short-circuit and overload electrical grids.

THREE-POLE FUSE-DISCONNECTING DRIŠER 50 A (Ø14X51)



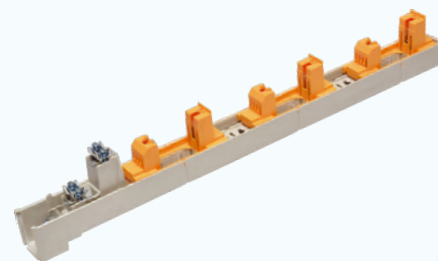
It is used to protect short-circuit and overload electrical grids. It is designed for mounting on a 35 mm wide rail and for maximum current up to 50 A. The cylindrical fuses $\varnothing 14 \times 51$ mm are used for currents 2, 4, 6, 8, 10, 12, 16, 20, 25, 32, 40 or 50 A. The housing is designed so that it can be sealed in and off, with or without soldering insert. Connection and separation cables are connected without screwing in the range from 1.5 to 35 mm².

Dimension: 81x112x102 mm
Weight: 33 kg / 100 pcs
Code number: 5400250

INSULATED FUSE RAILS

| Code number | Type | Nominal current A | Maxi. working voltage V | Insulation voltage V | Package pcs |
|-------------|-------------|-------------------|-------------------------|----------------------|-------------|
| 5400041 | L00 - 160/3 | 160 | 690 | 750 | 1 |
| 5400042 | FR1 - 250/3 | 250 | 690 | 1000 | 1 |
| 5400043 | FR2 - 400/3 | 400 | 690 | 1000 | 1 |
| 5400044 | FR3 - 630/3 | 630 | 690 | 1000 | 1 |

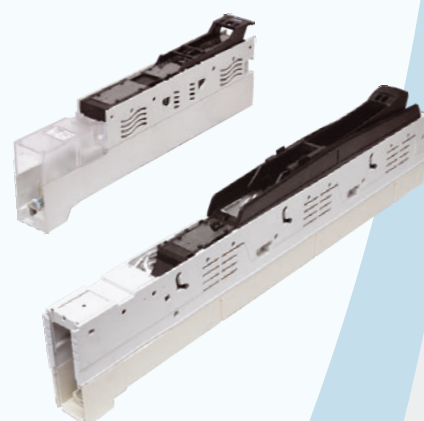
They are used to protect short-circuit and overload electrical grids. They are designed for mounting on busbars (Cu rails). They are easy to mount, they take up little space on the mounting plate. The housing is made of self-extinguishing polycarbonate.



DISCONNECTOR RAILS - (DRIŠER)

| Code number | Type | Nominal current A | Maxi. working voltage V | Insulation voltage V | Rail spacing mm |
|-------------|--------------|-------------------|-------------------------|----------------------|-----------------|
| 5400037 | SL00 - 160/3 | 160 | 690 | 750 | 100 |
| 5400031 | FD1 - 160/3 | 160 | 690 | 1000 | 185 |
| 5400032 | FD1 - 250/3 | 250 | 690 | 1000 | 185 |
| 5400033 | FD2 - 400/3 | 400 | 690 | 1000 | 185 |
| 5400034 | FD3 - 630/3 | 630 | 690 | 1000 | 185 |

They are used to protect short-circuit and overload electrical grids. They are designed for mounting on busbars. They are easy to assemble, occupy little space on the mounting plate, and provide protection against contact voltage. The housing is made of self-extinguishing polycarbonate.



DISCONNECTION FUSE HOLDER

| Code number | Type | Nominal current A | Maxi. working voltage V | Insulation voltage V | Package pcs |
|-------------|--------------|-------------------|-------------------------|----------------------|-------------|
| 5400115 | FH00 - 160/1 | 160 | 690 | 1000 | 1 |
| 5400116 | FH00 - 160/3 | 160 | 690 | 1000 | 1 |
| 5400124 | FH1 - 250/1 | 250 | 690 | 1000 | 1 |
| 5400125 | FH1 - 250/3 | 250 | 690 | 1000 | 1 |
| 5400139 | FH2 - 400/1 | 400 | 690 | 1000 | 1 |
| 5400140 | FH2 - 400/3 | 400 | 690 | 1000 | 1 |
| 5400162 | FH3 - 630/1 | 630 | 690 | 1000 | 1 |
| 5400163 | FH3 - 630/3 | 630 | 690 | 1000 | 1 |

They are used to protect short-circuit and overload electrical grids. They are easy to assemble, occupy little space on the mounting plate and provide protection against contact voltage. The casing is made of self-extinguishing polycarbonate and equipped with an electric arc-extinguishing chamber.



THREE-PHASE SHIELDED FUSES

| Code number | Type | Length mm | Width mm | Package pcs | weight kg/pcs |
|-------------|--------|-----------|----------|-------------|---------------|
| 5100020 | 3x63 A | 226 | 150 | 15 | 1,40 |
| 5100022 | 3x35 A | 226 | 150 | 15 | 1,30 |
| 5100026 | 3x25 A | 226 | 150 | 15 | 1,20 |

They are used to secure a home attachment for installation in the attic or in a measuring cabinet. Delivered at the customer's request with contact screws and soldering inserts. The housing is made of thermoplastic material.



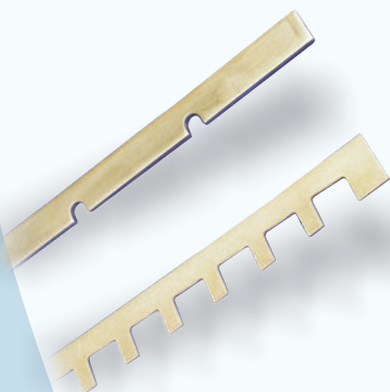
SINGLE-PHASE SHIELDED FUSES



| Code number | Type | Length mm | Wide mm | Package pcs | Weight kg/pcs |
|-------------|------|-----------|---------|-------------|---------------|
| 5100035 | 63 A | 115 | 85 | 15 | 0,60 |
| 5100032 | 35 A | 115 | 85 | 15 | 0,50 |
| 5100031 | 25 A | 115 | 85 | 15 | 0,45 |

They are used to secure a home connector for installation in the attic or in the measuring cabinet. They are delivered at the customer's request with contact screws and solder inserts. The cabinet is made of thermoplastic material.

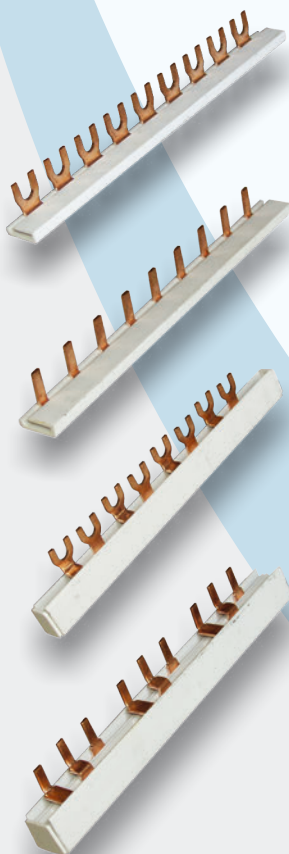
SINGLE-POLE Cu UNION-RAILS FOR FUSES



| Code number | For fuses | Length mm | Package pcs | Weight kg/100pcs |
|-------------|------------|-----------|-------------|------------------|
| 5100125 | 25 A | 200 | 10 | 14,24 |
| 5100163 | 63 A | 200 | 10 | 18,40 |
| 5100170 | Automatski | 216 | 10 | 13,60 |

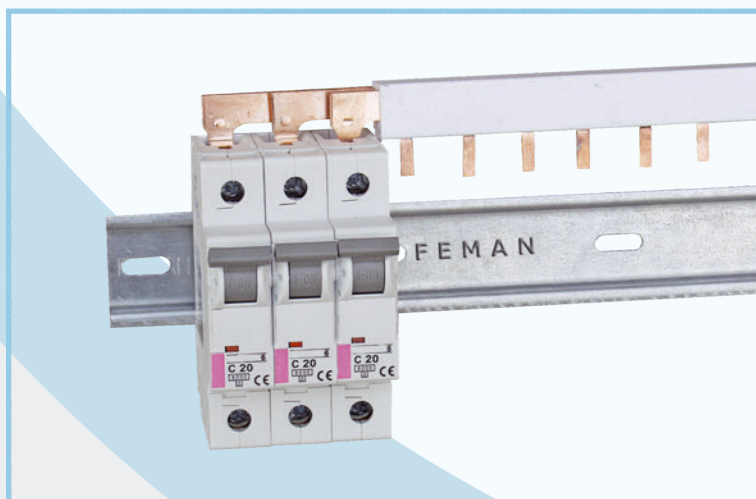
The boards have a "snap rail" for mounting automatic fuses and porcelain fuses up to 63 A.

Cu UNION-RAILS FOR FUSES



They are used for switching fuses. Each rail - the phase is insulated with a plastic self-extinguishing profile.

| Code number | For fuses | Length mm | Package pcs | Weight kg/100pcs |
|-------------|-----------|-----------|-------------|------------------|
| 5100111 | H TIP 1P | 1000 | 25 | 24,10 |
| 5100112 | H TIP 2P | 1000 | 20 | 46,20 |
| 5100113 | H TIP 3P | 1000 | 15 | 68,40 |
| 5100114 | H TIP 4P | 1000 | 10 | 90,80 |
| 5100121 | U TIP 1P | 1000 | 25 | 28,10 |
| 5100122 | U TIP 2P | 1000 | 20 | 54,20 |
| 5100123 | U TIP 3P | 1000 | 15 | 80,40 |
| 5100124 | U TIP 4P | 1000 | 10 | 106,80 |

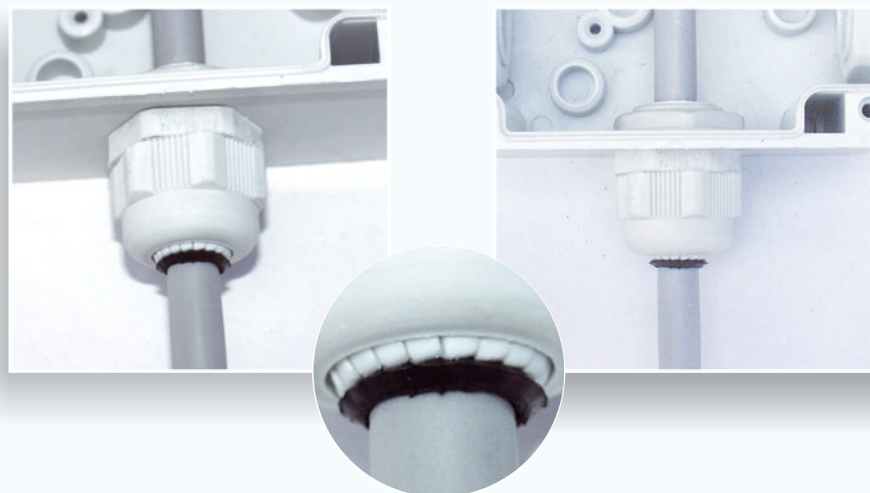


WATER-TIGHT PA-PVC GLANS

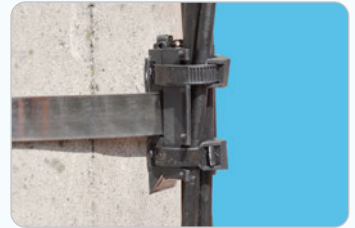
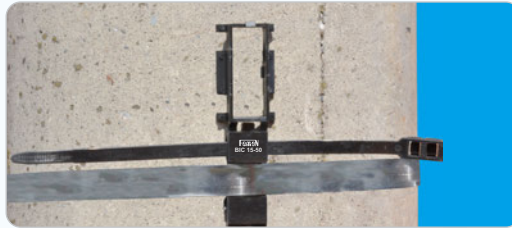
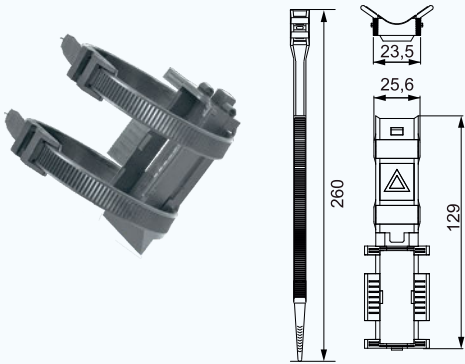
| Code number Poliamid | Type | Thread PG(Re) | For cable diameter mm | Package pcs | Weight kg/100pcs |
|----------------------|---------|---------------|-----------------------|-------------|------------------|
| 5300071 | PG-13.5 | 13.5 | 8-12 | 100 | 1,1/1,5 |
| 5300072 | PG-16 | 16 | 10-14 | 100 | 1,5/1,8 |
| 5300073 | PG-21 | 21 | 13-18 | 100 | 2,6/2,8 |
| 5300074 | PG-29 | 29 | 18-25 | 100 | 3,6/4,3 |
| 5300075 | PG-36 | 36 | 22-32 | 100 | 7,2/8,5 |

We are working them from polyamide. Insulated glass fiber reinforced polyamides are used where high tensile strength is required. Inputs are self-extinguishing and resistant to UV radiation and atmospheric influences. Approved according to DIN 46320.

Today, these types of glands are used exclusively, as they provide complete protection against voltage contact.



CABLE CLAMP BIC 15-50



| Code number | Type | Cable diameter mm | Type of stripe 2 pcs | Package pcs | Weight kg/100 pcs |
|-------------|-----------|-------------------|----------------------|-------------|-------------------|
| 1714070 | BIC 15-50 | 15-50 | FKV 260/9 | 100 | 20 |
| 1714075 | BIC 50-90 | 50-90 | FKV 360/9 | 100 | 25 |

It is used for mounting SCS and cables on walls or pillars. NN SKS and cables are pruned by adjusting tie. The body of the racks and cords are made of polyamide resistant to weather and UV rays. Clamps on the wall are fastened with screws, and on the pillar with the aid of a strap and band.

The bonding of the SKS and the cable is accomplished with the help of FKV 290x9 and FKV 360x 9 wires, which are delivered together with the clamp.

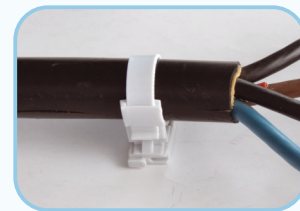
CLAMP WITH ADJUSTING STRIPE

Clamp with adjusting stripe is made of high quality polyamide, self-extinguishing V-0, resistant to heating 110°C without deformation. It is in gray color RAL 7035. It is used for fixing all kinds of electric, water pipes, heating pipes, gas, for direct fixing of cables on the wall, ceiling, column, in electric cabinets.

Advantages: Easy and quick installation of all types of installations with maximum working time savings. Clamps with stinging belt are suitable for use where a good mechanical connection is needed, where there are more temperatures, and the drives are for outdoor use because they are resistant to UV radiation. With only two types of strapping clips, the belt includes a range of external dimensions of Ø15-42 mm, and this significantly facilitates the work during assembly.



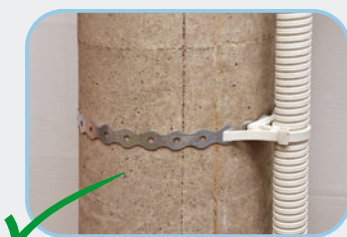
| Code number | Opening diameter mm | Package pcs | Weight kg/100pcs |
|-------------|---------------------|-------------|------------------|
| 5340100 | Ø15-25 | 100 | 0,5 |
| 5340102 | Ø24-42 | 100 | 1 |



Example setup cable on the wall



An example of placing a clamp stinging with a belt



Correct and incorrect placing a flexible hose on the pillar

Correct and incorrect placing copper pipes for heating

ARTISTIC CABINETS ADAPTED TO THE ENVIRONMENT



MOTIVE - STONE



MOTIVE - OAK



MOTIVE - OLD WOODEN BEAM

EXAMPLES OF DISTRIBUTIVE MEASURING BOXES



MEASURING - DISTRIBUTIVE POLYESTER CABINET
MRO1 260X620X210



MEASURING - DISTRIBUTIVE POLYESTER CABINET
MRO2 600X665X235

EXAMPLES OF DISTRIBUTIVE MEASURING BOXES

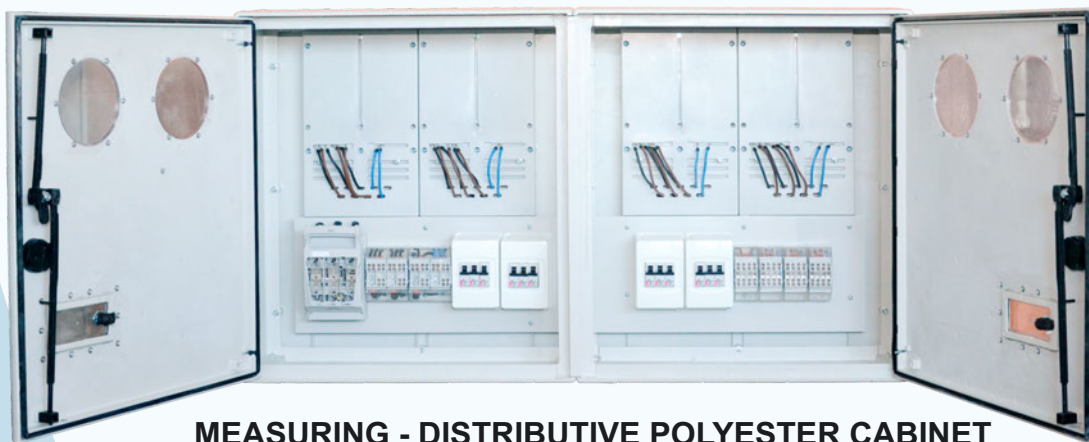


**MEASURING - DISTRIBUTIVE POLYESTER CABINET
MRO2V 320x1200x235**



**MEASURING - DISTRIBUTIVE POLYESTER CABINET
MRO4 600x1200x235**

EXAMPLES OF DISTRIBUTIVE MEASURING BOXES



MEASURING - DISTRIBUTIVE POLYESTER CABINET
MRO4H 1200x665x235



MEASURING - DISTRIBUTIVE POLYESTER CABINET
MRO6 920x1200x235

EXAMPLES OF THE INSTALLATION OF FREE-STANDING POLYESTER CABINETS



Free-standing grounding measuring cabinet in Arandjelovac

PHOTOGRAPHS OF CABINETS FOR SKYSCRAPERS



Polyester modular cabinet for 18 measuring points



Polyester modular cabinet for 12 measuring points

PHOTOGRAPHS OF CABINETS FOR SKYSCRAPERS



Polyester modular cabinet for 27 measuring points



Stand-alone grounding cabinet for 1 and 2 measuring points

AN EXAMPLE OF INSTALLATION OF A FREE-STANDING CABINET FOR A POLE TRANSFORMER STATION



Measuring distribution box with fuse rails for pillar transformer 10 / 0,4 kV

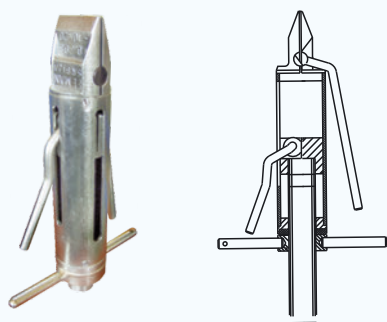
TIGHTENING EQUIPMENT

Examples of various binding elements with perforated bands to steel and concrete posts



***Quick, simple, safe, permanent,
without welding or drilling with expensive tools***

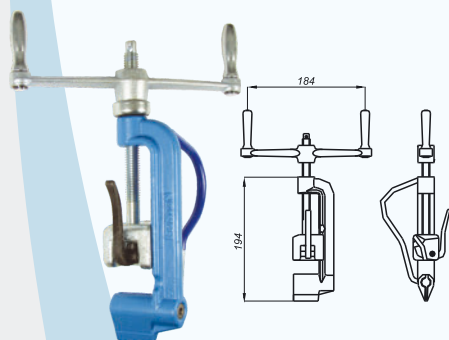
PULLING GRIP FOR STAINLESS STEEL BANDS



Used for tightening and cutting of stainless steel bands (steel support rings) used for securing equipment to poles. This is a very reliable and practical way for quick and easy securing of brackets, stands, supports, lamps, protection devices, signs, etc. on metal, concrete or wooden pole - supports, making a long lasting, greatly tightened, secure attachment without drilling and welding. This system has long been in use by the electrical industry in the developed countries.

Packing: 1 pcs
Weight: 1.78 kg/ pcs
Code number: 4710000

PULLING GRIP FOR STAINLESS STEEL BANDS FZT

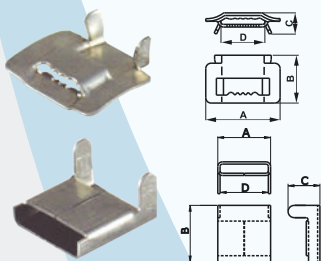


Used for tightening and cutting of stainless steel bands (steel support rings) used for securing equipment to poles. This is a very reliable and practical way for quick and easy securing of brackets, stands, supports, lamps, protection devices, signs, etc. on metal, concrete or wooden pole - supports, making a long lasting, greatly tightened, secure attachment without drilling and welding. This system has long been in use by the electrical industry in the developed countries.

Packing: 1 pcs
Weight: 1.8 kg/ pcs
Code number: 4710002

CLIPS FOR STAINLESS STEEL BANDS

A13
A19

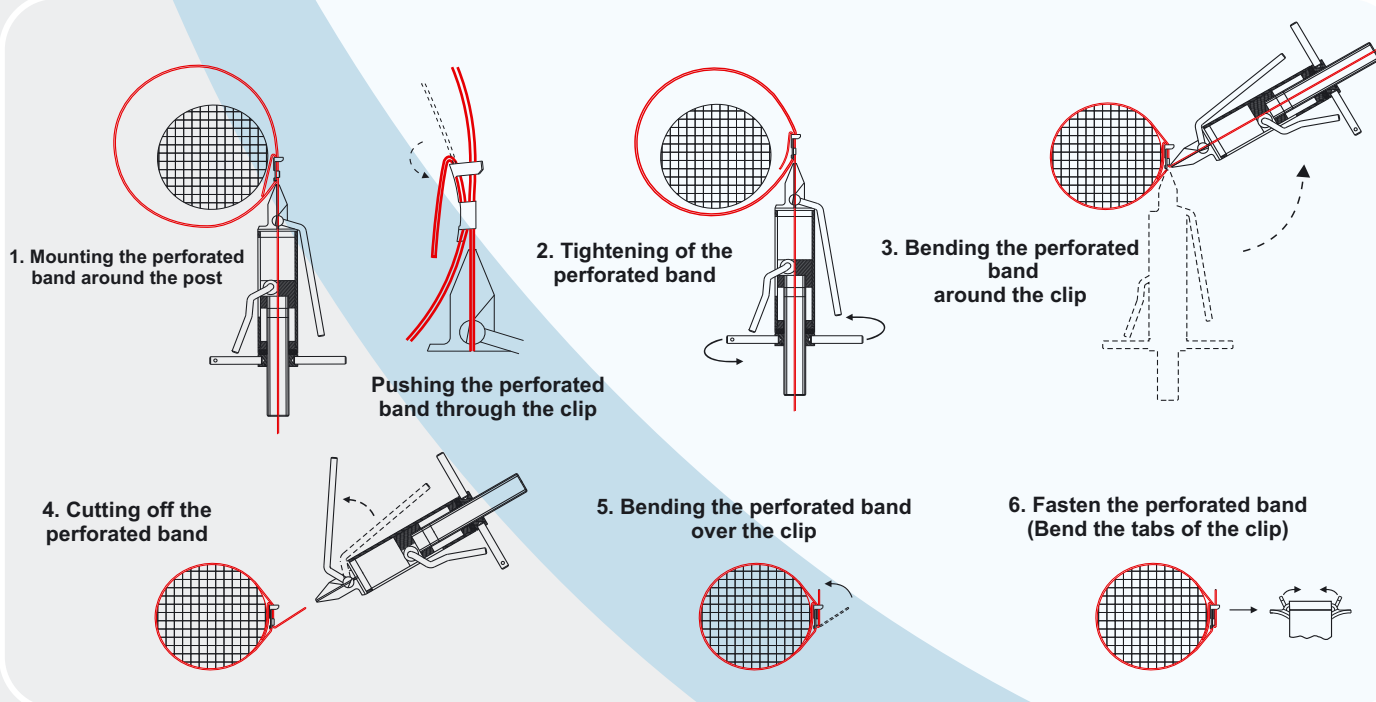


| Code number | Type | A mm | B mm | C mm | D mm | Package pcs | Weight kg/100 pcs |
|-------------|------|------|------|------|------|-------------|-------------------|
| 4710213 | A13 | 32 | 27 | 10 | 16 | 100 | 1,0 |
| 4710219 | A19 | 42 | 27 | 12 | 25 | 100 | 1,2 |
| 4710320 | A20 | 23.2 | 25 | 14 | 21.2 | 150 | 0.8 |

A20

Used for attaching stainless steel bands to poles.

PROPER PROCEDURE OF PERFORATED BAND TIGHTENING



STAINLESS STEEL BAND IN PLASTIC CASE

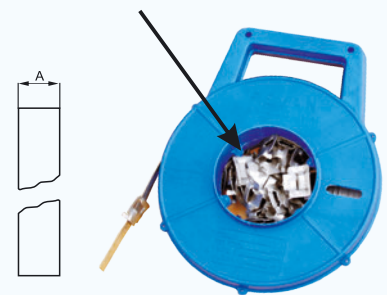
| Code number | A mm | Thickness mm | Material (stainless steel) | Breaking strength (N) | Weight of roll in the case | Package m |
|-------------|------|--------------|----------------------------|-----------------------|----------------------------|-----------|
| 4710009 | 9 | 0,55 | 1,4371 | 4100 | | 20 |
| 4710013 | 13 | 0,70 | 1,4371 | 7100 | 2,6kg/pc | 20 |
| 4710019 | 19 | 0,70 | 1,4371 | 10600 | 3,7kg/pc | 20 |

Used for attaching equipment to poles. On customer's request we can also provide bands of other dimensions and lengths. The case contains 30 clips adapted to the ordered band.

WATERPROOF STAINLESS STEEL BAND

| Code number | A mm | Thickness mm | Material (stainless steel) | Breaking strength (N) | Weight of roll in the case | Package m |
|-------------|------|--------------|----------------------------|-----------------------|----------------------------|-----------|
| 4710075 | 13 | 0,70 | 1,4371 | 7100 | 3,5kg/pc | 50 |
| 4710080 | 19 | 0,70 | 1,4371 | 10600 | 5,1kg/pc | 50 |

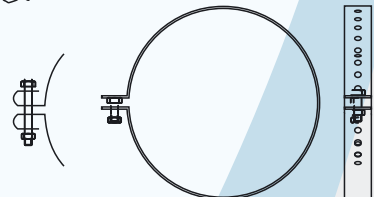
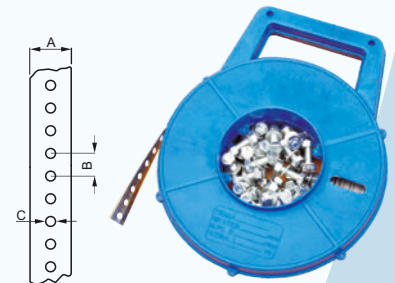
Transparent cover



PERFORATED GALVANIZED TAPE WITH ROUND HOLES

| Code number | A mm | B mm | C mm | Thickness mm | Breaking strength (N) | Weight of roll in the case | Package m |
|-------------|------|------|------|--------------|-----------------------|----------------------------|-----------|
| 4710120 | 20 | 12 | 6 | 1,0 | 4200 | 3,1kg/pc | 20 |
| 4710125 | 25 | 12 | 6 | 1,0 | 5400 | 3,5kg/pc | 20 |

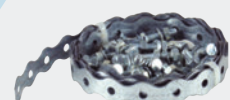
Used for attaching equipment to poles using an appropriate galvanized screw nut and flat washer. At customer's request we also provide bands of other dimensions and lengths. The sharp edges on the band are processed according to DIN. The case also contains 30 pieces of screw nuts adapted to the ordered band.



PERFORATED GALVANIZED ELLIPTICAL BAND 20m

| Code number | A mm | B mm | C mm | Thickness mm | Breaking strength (N) | Weight of roll in the case | Package m |
|-------------|------|------|------|--------------|-----------------------|----------------------------|-----------|
| 4710130 | 20 | 24,3 | 6,2 | 1,0 | 4000 | 2,7kg/pc | 20 |
| 4710131 | 20 | 24,3 | 8,2 | 1,0 | 3400 | 2,5kg/pc | 20 |

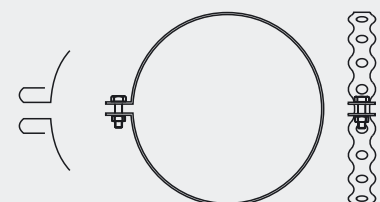
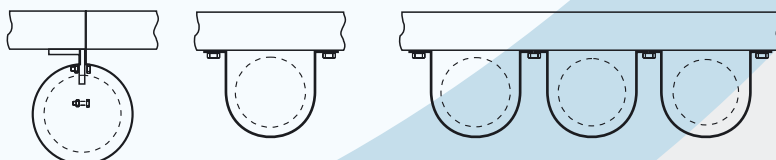
Flexible, light, bendable, universal in use. Used for attaching equipment to poles using an appropriate galvanized screw nut and flat washer. Very convenient for hanging of instillation pipes for water, sewer and heat. On customer's request we also provide bands of other dimensions and lengths. The sharp edges on the band are processed according to DIN. The case also contains 30 pieces of screw nuts adapted to the ordered band.



PERFORATED GALVANIZED ELLIPTICAL BAND 5m

| Code number | A mm | B mm | C mm | Thickness mm | Breaking strength (N) | Weight of roll in the case | Package m |
|-------------|------|------|------|--------------|-----------------------|----------------------------|-----------|
| 4710135 | 20 | 24,3 | 6,2 | 1,0 | 4000 | 0,70kg/pc | 5 |
| 4710136 | 20 | 24,3 | 8,2 | 1,0 | 3400 | 0,87kg/pc | 5 |

Convenient for hanging and tightening of all types and pipes dimensions.



Transport vehicles owned by feman for fast delivery of goods



JA - 020 - NW



JA - 024 - AU



JA - 040 - DG



JA - 012 - CY



JA - 020 - NŽ



JA - 034 - HE



JA - 042 - CB



JA - 026 - NW

Assembly baskets and cranes owned by feman for works on networks 0.4, 10, 20 and 35kv. Feman also has 30 professionally trained installers.



Construction machinery owned by feman for the execution of all types of earth and concrete works



Freight vehicles owned by feman for fast delivery of goods





PART OF MACHINERY FOR CARRYING OUT WORKS ON NETWORKS 0,4, 10, 20 AND 35 KV



THE DETAIL OF THE PRODUCTION PROGRAM OF PRESSING POLYESTERIC CABINETS FEMAN FACTORY IN JAGODINA



Plant with seven vertical modern hydraulic presses from 200 to 1000 tons.



Assembly and wiring of cabinets.



FEMAN is the largest producer of polyester measuring cabinets, boxes and equipment with more than 320 types of cabinets in the Balkans.



FemaN is the largest producer of cable connectors, electro materials, polyester measuring boxes, street and industrial LEDs, sodium and metal halogen lamps, heat pumps, solar collectors, tools and installation accessories in the Balkans.

The founder, owner and director is engineer Miodrag Nikolić, whose leadership abilities, work and dedication contributed to FemaN's development in a medium enterprise, which has over 270 employees and a wide array of over 2000 high-quality products. On a total surface of 15,000 m², these products are manufactured in modern facilities: development and construction of products, foundry, blacksmiths, locksmiths, punching, extrusion and plastic injection, pressing polyester, turning and milling, painting, galvanizing, tooling and assembly.

Our business currency is "Quality above all", which is proven by a large number of awards and recognitions, both at domestic and international fairs. The conquest of new products, their development and continuous improvement are led by a group of proven experts of various profiles. All products are manufactured in accordance with SRPS, IEC, EN and NFC standards, and the company has the ISO 9001 standard since 1996 and the ISO 14001, ISO / IEC 27001 and OHSAS 18001 standards.

All of our products undergo the necessary testing and attestation, and a certain number from each series is examined in our internal laboratory to ensure that the end user always gets a high quality and reliable product that is quickly and easily mounted. Thanks to the high quality, which has become synonymous with FemaN products, our sales network spreads across all 5 continents.

Do business with us and you will be assured in the truthfulness of our business motto.



FACTORY OF CABLE ACCESSORIES

Vihorska 1, Jagodina, Serbia, tel: +381 35/230-000 fax: +381 35/230-024 www.femaN.net